



"NG/C" FIRE TUBE STEAM BOILER

w w w . g a r i o n i n a v a l . c o m

GARIONI NAVAL S.p.A. Viale dei Caduti, 3 25030 Castelmella Brescia – Italy
Phone +39 030 2681541 / +39 030 3582420 Fax +39 030 2680910 / +39 030 3580535
garioninaval@garioninaval.com www.garioninaval.com www.euroboiler.com

C.C.I.A.A. BS n. 0332624 - R.S. Reg. Trib. BS n. 46984 - Cap. Soc. € 2.000.000,00 i.v. - P.IVA e Cod. Fisc. 03148440179



EUROBOILERS

GARIONI NAVAL
INDUSTRIAL AND MARINE HEATING SYSTEMS

STEAM BOILERS AND THERMAL OIL HEATERS

FIRE TUBE STEAM GENERATORS NG/C

Two pass type with dry bottom, featuring simple and strong construction, ideal for medium capacity applications in which simplicity of construction combined with ease of maintenance and reliability are of touchstone importance.

Built for energy capability of up to 6 ton/h. and design pressure of 18 bar.

In addition to the above, NG/C steam generators afford the following benefits:

- **High efficiency (min. 90%)**, due to the perfect and complete use of the high heated surface of the effective two smoke passes where really it is needed from the heat exchange value.
- **Simple maintenance**, due to the easy access to the fire tubes thanks to the operable front and rear door.
- **Low Nox emissions**, thanks to the absence of flame reversal in the combustion chamber and the sizing of the chamber, which is within the length and diameter parameters that allow the correct flow rate and holding time of flue gas in the chamber.
- **Immediate assistance service**, thanks to the use of primary brand commercial burners. On-the-spot after-sales service.

***The quality of NG/C steam generators is anyway assured by
the ISO 9001 total quality certification secured by our company.***

W W W . G A R I O N I N A V A L . C O M

SCOPE OF SUPPLY

1.0 BOILER BODY

- 1.1 **PRESSURE VESSEL** with shell, furnace and tubesheet made of P 275 NH steel welded using submerged arc techniques and complete with suitable reinforcements. The pressure vessel is complete with connections for level sensors, steam outlet, drain, etc.
- 1.2 **FIRE TUBET** made of non-alloy steel Fe 35.2 UNI 663 or ASTM 106 grade B schedule 40, welded to the plates.
- 1.3 **REAR FLUE GAS BOX**, in carbon steel, completely operable , lined with refractory material to withstand high temperatures and provide thermal insulation.
- 1.4 **FRONT FLUE GAS BOX** made of carbon steel, with high temperature refractory lining, complete with Operable doors for inspection of the tube bundle and burner mounting plate.
- 1.5 **MANHOLE** and **HANDHOLE** for internal inspection purposes.
- 1.6 **INSULATION** in high density rock wool of 100 mm thickness and density 100 kg/m³ covered by alloy sheets.
- 1.7 **SKID** made of structural steel sections supporting the boiler assembly and its accessories.
- 1.8 **Pressure Vessel Welding** are completely x-ray and ultrasound tested in our high tech x-ray station.

2.0 VALVES

- 2.1 Steam outlet valve
- 2.2 Blow-down group with valve and cock
- 2.3 Valves for level indicator (No. 2).
- 2.4 Flame check valve.
- 2.5 Valves for feed water group.
- 2.6 Check valve for feed water group.
- 2.7 Three way cock with test flange to connect pressure gauge.

3.0 REGULATING AND CONTROL EQUIPMENT

- 3.1 Reflex level gauges.
- 3.2 Steam pressure gauge with 3-way pressure gauge cock and test flange.
- 3.3 Maximum pressure switch.
- 3.4 Steam pressure transducer for burner regulation.
- 3.5 Automatic probes type electronic level regulator.
- 3.6 Flame inspection hole.
- 3.7 **Gariomatic** digital control and monitoring system

4.0 SAFETY DEVICES

- 4.1 Safety pressure switch.
- 4.2 Level gauges.
- 4.3 Safety valves (No. 2).
- 4.4 Low water level safety probe.

5.0 ELECTRICAL CONTROL PANEL

- 5.1 IP 54 enclosure
- 5.2 Door lock master switch.
- 5.3 Burner start switch.
- 5.4 Pump contactor.
- 5.5 Electronic control module with microprocessor board.
- 5.6 Polycarbonate keyboard with 12 keys for selection and setup of operating parameters.
- 5.7 **Gariomatic** digital control and monitoring system for display of operating parameters and indication, logged to the memory, of the cause of any trip conditions.
- 5.8 Relays.
- 5.9 Fuses.
- 5.10 Indicator lights.
- 5.11 Numbered terminal board.
- 5.12 Control circuits transformer.
- 5.13 Safety devices unlock button.
- 5.14 Emergency pushbutton.

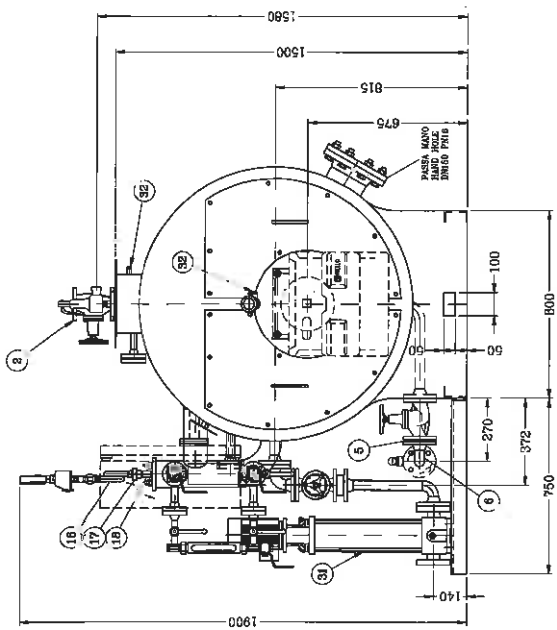
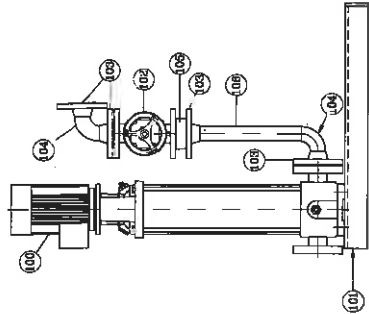
6.0 FEED WATER UNIT

- 6.1 Electric water pump connected to motor, mounted on boiler skid.
Flow rate and pressure head in compliance with standards.

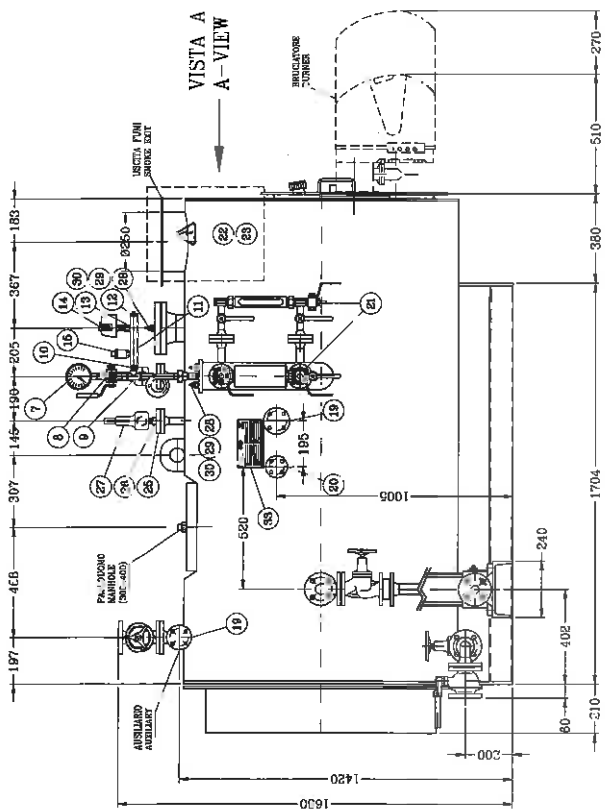
Type		NG/C 300	NG/C 500	NG/C 750	NG/C 1000	NG/C 1500	NG/C 2000	NG/C 2500	NG/C 3000	NG/C 3500	NG/C 4000	NG/C 5000	NG/C 6000
Steam production	kg/h	300	500	750	1.000	1.500	2.000	2.500	3.000	3.500	4.000	5.000	6.000
Steam production (from and at)	kg/h	333	556	833	1.111	1.667	2.222	2.778	3.333	3.889	4.444	5.556	6.667
Capacity	kcal/h	180.000	300.000	450.000	600.000	900.000	1.200.000	1.500.000	1.800.000	2.100.000	2.400.000	3.000.000	3.600.000
	kW	209	349	523	698	1.047	1.396	1.745	2.093	2.442	2.791	3.489	4.187
Design pressure	bar	12	12	12	12	12	12	12	12	12	12	12	12
Efficiency without economizer	% ±1	88,0	88,0	88,0	88,0	88,0	88,0	88,0	88,0	88,0	88,0	88,0	88,0
Efficiency with economizer	% ±1				91,5	90,8	91,2	90,8	91,2	90,6	91,2	91,0	91,6
Total internal volume	liters	803	803	1.416	1.416	1.590	1.787	1.995	2.625		3.552	4.745	7.336
Level capacity	liters	636	636	1.069	1.069	1.248	1.427	1.593	2.047		2.758	3.845	5.994
Steam chamber capacity	liters	167	167	347	347	342	360	402	578		794	900	1.342
Heated surface	m ²	8,1	8,1	14,5	14,5	23,5	28,0	35,0	40,0		54,6	67,0	89,5
Specific steam production	kg/hm ²	37,0	61,7	51,7	69,0	63,8	71,4	71,4	75,0		73,3	74,6	67,0
Furnace volume	m ³	0,306	0,306	0,434	0,434	0,804	0,943	1,051	1,208		1,409	2,227	3
Furnace thermal load	kcal/hm ³	669.057	1.115.094	1.179.025	1.572.033	1.271.657	1.445.376	1.621.230	1.693.373		1.935.284	1.530.610	1.429.001
Smokes temperature without econom.	°C	290	315	290	315	310	315	320	325	330	310	320	295
Smokes temperature with economizer	°C				200	215	210	220	210	220	210	210	200
Furnace pressure drop without eco.	mm H ₂ O	30	45	42	65	65	80	90	100	95	115	130	110
Furnace pressure drop with eco.	mm H ₂ O				73	81	94	108	113	113	131	146	128
Furnace internal diameter	mm	476	476	486	486	640	668	668	716		716	842	900
Furnace length	mm	1.718	1.718	2.338	2.338	2.500	2.692	3.000	3.000		3.500	4.000	4.500
Shell internal diameter	mm	952	952	1.056	1.056	1.180	1.216	1.214	1.376		1.472	1.618	1.818
Shell internal length	mm	1.680	1.680	2.300	2.300	2.462	2.650	2.958	2.958		3.456	3.958	4.454
Pipes Nr.	Nr.	22	22	34	34	56	62	74	82		112	82	102
Pipes Diameter	mm	48,3	48,3	48,3	48,3	48,3	48,3	48,3	48,3		48,3	60,3	60,3
Pipes Thickness	mm	2,90	2,90	2,90	2,90	2,90	2,90	2,90	2,90		2,90	3,20	3,2

Type		NG/C 300	NG/C 500	NG/C 750	NG/C 1000	NG/C 1500	NG/C 2000	NG/C 2500	NG/C 3000	NG/C 3500	NG/C 4000	NG/C 5000	NG/C 6000
Smoke passes scheme		NG-70	NG-70	NG-70	NG-70	NG-70	NG-70	NG-70	NG-70	NG-70	NG-70	NG-70	NG-70
P & I standard		PID 1367 R1	PID 1367 R1	PID 1367 R1	PID 1367 R1	PID 1367 R1	PID 1367 R1	PID 1367 R1	PID 1367 R1	PID 1367 R1	PID 1367 R1	PID 1367 R1	PID 1367 R1
Boiler room P & I standard		PID 1368 R0	PID 1368 R0	PID 1368 R0	PID 1368 R0	PID 1368 R0	PID 1368 R0	PID 1368 R0	PID 1368 R0	PID 1368 R0	PID 1368 R0	PID 1368 R0	PID 1368 R0
External drawing without economizer	one pump	NG 1131 R1	NG 1112 R3	NG 1142 R1	NG 1149 R1	NG 1156 R1	NG 1172 R1	NG 1162 R1	NG 1168 R1	NG 1065 R0	NG 1030 R3	NG 1224 R0	05-0232 R4
External drawing without economizer	two pumps			NG 1143 R0	NG 1150 R0	NG 1157 R0	NG 1173 R0	NG 1163 R0	NG 1169 R0	NG 1065 R0		NG 1213 R0	05-0232 R4
External dwg without ECO, with TDS	one pump				NG 1181 R0								
External dwg without ECO, with TDS	two pumps				NG 1151 R0						NG 1189 R0		
P&I (without continuous supervision)	72 hours	06-0089 R3	06-0089 R3	06-0089 R3	06-0089 R3	06-0089 R3	06-0089 R3	06-0089 R3	06-0089 R3	06-0089 R3	06-0089 R3	06-0089 R3	06-0089 R3
External drawing with injector	for Italy	06-0069	06-0063 R1	06-0064 R1	NG 1054 R1	NG 1028 R0	NG 1003 R1	06-0026 R1	NG 1033 R0		NG 1031 R0	06-0073 R1	06-0074 R1
External drawing with economizer					NG 1035 R1		07-0385	06-0324	06-0366		NG 1206 R1	07-0754	
P&I (with economizer)					07-0501		07-0388 R1						
Economizers													
Standard carbon steel (SX connect.)					RC 1062 R2	RC 1062 R2	RC 1062 R2	RC 1062 R2	RC 1062 R2	RC 1062 R2	RC 1062 R2	RC 1062 R2	RC 1062 R2
Carbon steel (DX connections)					RC 1063 R1	RC 1063 R1	RC 1063 R1	RC 1063 R1	RC 1063 R1	RC 1063 R1	RC 1063 R1	RC 1063 R1	RC 1063 R1
Standard stainless steel (SX connect.)					RC 1064 R1	RC 1064 R1	RC 1064 R1	RC 1064 R1	RC 1064 R1	RC 1064 R1	RC 1064 R1	RC 1064 R1	RC 1064 R1
Stainless steel (DX connections)					RC 1065 R1	RC 1065 R1	RC 1065 R1	RC 1065 R1	RC 1065 R1	RC 1065 R1	RC 1065 R1	RC 1065 R1	RC 1065 R1
Extended surface of economizer	m ²				6,6	6,6	11,0	11,0	15,9	15,9	18,5	28,2	28,2
Pressure drop of economizer	mm H ₂ O				8	16	14	18	13	18	16	16	18
Weight of economizer	kg				50	50	75	75	100	100	110	150	170
P&I with modulating feed water		PID 1165 R1	PID 1165 R1	PID 1165 R1	PID 1165 R1	PID 1165 R1	PID 1165 R1	PID 1165 R1	PID 1165 R1	PID 1165 R1	PID 1165 R1	PID 1165 R1	PID 1165 R1
P&I for Italy (natural gas)		06-0088	06-0088	06-0088	06-0088	06-0088	06-0088	06-0088	06-0088	06-0088	06-0088	06-0088	06-0088
Length (burner excluded)	mm	2.350	2.350	3.000	3.000	3.300	3.450	3.760	3.760	4.300	4.300	4.800	5.400
Width	mm	1.600	1.600	1.600	1.600	1.750	1.800	1.850	2.000	2.050	2.050	2.200	2.400
Height (including safety valves, ...)	mm	1.900	1.900	1.950	1.950	2.250	2.300	2.300	2.400	2.600	2.600	2.850	2.900
Empty weight without economizer	kg	1.900	1.900	2.400	2.400	3.700	4.100	5.000	5.200	6.000	7.000	9.300	10.000
Chimney dimension (without ECO)	DIN 86044	ø250	ø250	ø250	ø250	ø350	ø350	ø350	300 x 600	350 x 600	350 x 600	350 x 700	350 x 800
Chimney dimension (with ECO)					225 x 750	225 x 750	275 x 1000	275 x 1000	325 x 1200	325 x 1200	325 x 1400	425 x 1400	425 x 1600
Steam outlet valve 12 bar		DN32 PN16	DN32 PN16	DN50 PN16	DN50 PN16	DN65 PN16	DN65 PN16	DN80 PN16	DN80 PN16	DN80 PN16	DN80 PN16	DN100 PN16	DN100 PN16
Safety valves		Nr.1 ø 1/2" out ø1"	Nr.1 ø 1/2" out ø1"	Nr.2 ø 1/2" out ø1"	Nr.2 ø 1/2" out ø1"	Nr.2 ø 3/4" out ø1"	Nr.2 ø1" out ø1 1/2"	Nr.2 ø1" out ø1 1/2"	Nr.2 ø1 1/4" out ø1 1/2"	Nr.2 ø1 1/4" out ø1 1/2"	Nr.2 ø1 1/4" out ø1 1/2"	Nr.2 DN40 PN16 DN65 PN16	Nr.2 DN50 PN16 DN65 PN16
Blowdown valve		DN32 PN40	DN32 PN40	DN32 PN40	DN32 PN40	DN32 PN40	DN32 PN40	DN32 PN40	DN32 PN40	DN32 PN40	DN32 PN40	DN32 PN40	DN32 PN16
Water pipe inlet		DN32 PN40	DN32 PN40	DN32 PN40	DN32 PN40	DN32 PN40	DN32 PN40	DN32 PN40	DN32 PN40	DN32 PN40	DN32 PN40	DN32 PN40	DN40 PN16
Transport length (burner excluded)	mm	2.500	2.500	3.000	3.000	3.300	3.500	3.800	3.900	4.300	4.400	4.850	
Transport length (burner included)	mm	3.000	3.000	4.000	4.000	4.100	4.500	4.600	5.000	5.500	5.600	6.100	
Transport width	mm	2.000	2.000	2.000	2.000	2.300	2.300	2.300	2.300	2.300	2.100	2.300	
Transport height	mm	2.000	2.000	2.000	2.000	2.300	2.300	2.300	2.400	2.600	2.600	3.000	
Transport weight (burner excluded)	kg	2.000	2.000	3.500	3.500	3.900	3.900	4.900	5.000	6.000	6.200	8.000	

Type		NG/C 300	NG/C 500	NG/C 750	NG/C 1000	NG/C 1500	NG/C 2000	NG/C 2500	NG/C 3000	NG/C 3500	NG/C 4000	NG/C 5000	NG/C 6000
Burned power	kW	241	401	602	802	1.204	1.605	2.006	2.407		3.210	4.012	4.815
Burner head length	mm	340	340	340	340	430	430	430	430		430	430	430
Furnace pressure drop	mbar	3,0	4,5	4,2	6,5	6,5	8,0	9,0	10,0	9,5	11,5	13,0	11,0
Natural Gas Burner 2-3 flames	RIELLO	RS 34 MZ tl	RS 44 MZ tl	RS 70 tl	RS 100 tl	RS 130 tl	RS 190 tl	RS 250/M tc	GAS 9 P/M tc		GAS 10 P/M tc	GAS 10 P/M tc	
Natural Gas Burner modulating	RIELLO	RS 34/M MZ tl	RS 44/M MZ tl	RS 70/M tl	RS 100/M tl	RS 130/M tl	RS 190/M tl	RS 250/M tc	GAS 9 P/M tc		GAS 10 P/M tc	GAS 10 P/M tc	MB 6SE
Burner support plate	GN code	DIS103PIA00R00	DIS103PIA00R00	DIS105PIA00R00	DIS105PIA00R00	DIS106PIA00R00	DIS107PIA00R00	DIS107PIA00R00	DIS108PIA00R00		DIS109PIA00R00	DIS109PIA00R00	
Natural Gas Burner - installation power	kW	0,60	0,70	1,4	1,8	2,6	5,87	6,5	10		15	15	
Diesel Oil Burner 2-3 flames	RIELLO	RL 34 MZ tl	RL 50 tl	RL 70 tl	RL 100 tl	RL 130 tl	RL 190 tl	RL 190 tc	P 300 T/G tc		P 450 T/G tc	P 450 T/G tc	
Diesel Oil Burner modulating	RIELLO	RL 28/M tl	RL 38/M tl	RL 70/M tl	RL 70/M tl	RL 130/M tl	RL 190/M tl	RL 190/M tc	P 300 P/G tc		P 450 P/G tc	P 450 P/G tc	MB 6LE
Burner support plate	GN code	DIS103PIA00R00	DIS103PIA00R00	DIS105PIA00R00	DIS105PIA00R00	DIS106PIA00R00	DIS107PIA00R00	DIS107PIA00R00	DIS108PIA00R00		DIS109PIA00R00	DIS109PIA00R00	
Diesel Oil Burner - installation power	kW	0,6-0,37	0,7-0,6	1,4	1,8-1,4	2,6	5,5	5,5	9		14	14	
Heavy Oil Burner 2-3 flames	RIELLO			P100 N/ECO tl	P 140 T/N tc	P 140 T/N tl	P 200 T/N tl	P 300 T/N tc	P 300 T/N tc		P 450 P/N tc	P 450 P/N tc	
Heavy Oil Burner modulating	RIELLO				P 140 P/N tc	P 140 P/N tl	P 200 P/N tl	P 300 P/N tc	P 300 P/N tc		P 450 P/N tc	P 450 P/N tc	TI 10
Burner support plate	GN code			DIS105PIA00R00	DIS110PIA00R00	DIS111PIA00R00	DIS112PIA00R00	DIS113PIA00R00	DIS108PIA00R00		DIS109PIA00R00	DIS109PIA00R00	
Heavy Oil Burner - installation power	kW			9,4	19	19	20	30	30		34	34	34
Feeding pump capacity required	kg/h	600	1.000	1.500	2.000	2.000	2.600	3.250	3.900	4.550	5.200	6.500	6.900
Model (12 bar)	GRUNDFOS	CR 1S-27	CR 1-23	CR 1-25	CR 3-23	CR 3-23	CR 3-27	CR 5-22	CR 5-24	CR 5-24	CR 5-26	CR 5-36	CR 10-16
Installed power (12 bar)	kW	1,1	1,1	1,5	2,2	2,2	2,2	4	4	4	4	5,5	5,5
NPSH (12 bar)	m												
Feeding connection (12 bar)		DN32 PN25	DN32 PN25	DN32 PN25	DN32 PN25	DN32 PN25	DN32 PN25	DN32 PN25	DN32 PN25		DN32 PN25	DN32 PN25	DN40 PN25
Model (15 bar)	GRUNDFOS	CR 1S-33	CR 1-30	CR 1-33	CR 3-29	CR 3-29	CR 3-31	CR 5-29	CR 5-29		CR 5-32	CR 10-18	CR 10-18
Installed power (15 bar)	kW	1,1	1,5	2,2	2,2	2,2	3	4	4		5,5	7,5	7,5
NPSH (15 bar)	m	2	1	1,5	1,5	1,5	2,5	2	2		3	3	3,3
Feeding connection (15 bar)		DN32 PN25	DN32 PN25	DN32 PN25	DN32 PN25	DN32 PN25	DN32 PN25	DN32 PN25	DN32 PN25		DN32 PN25	DN32 PN25	DN40 PN25
Model (12 bar)	WILO	MVI 114	MVI 114	MVI 116	MVI 214	MVI 214	MVI 217	MVI 417	MVI 417		MVI 814	MVI 814	MVI 814
Installed power (12 bar)	kW	1,5	1,5	1,85	2,2	2,2	3,0	3,7	3,7		5,5	5,5	5,5
NPSH (12 bar)	m	6	6	7	1	1	1	1	1		1	1	1
Feeding connection (12 bar)		DN25 PN25	DN25 PN25	DN25 PN25	DN25 PN25	DN25 PN25	DN25 PN25	DN32 PN25	DN32 PN25		DN40 PN25	DN40 PN25	DN40 PN25
Model (15 bar)	WILO	MVI 118	MVI 121	MVI 121	MVI 217	MVI 217	MVI 220	MVI 417	MVI 419		MVI 817	MVI 817	MVI 817
Installed power (15 bar)	kW	1,9	2,2	2,2	3,00	3,00	3,7	3,7	4,0		7,5	7,5	7,5
NPSH (15 bar)	m	6	6	7	1	1	1	1	1		1	1	1
Feeding connection (15 bar)		DN25 PN25	DN25 PN25	DN25 PN25	DN25 PN25	DN25 PN25	DN25 PN25	DN32 PN25	DN32 PN25		DN40 PN25	DN40 PN25	DN40 PN25

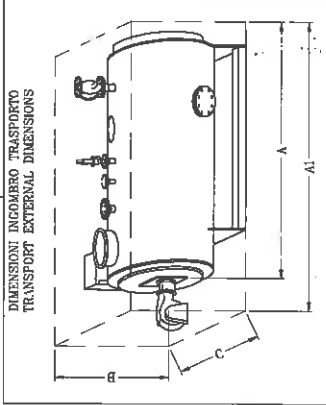
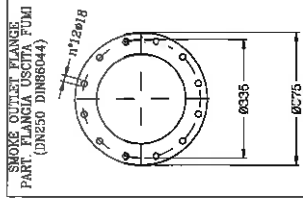


VISTA A
A-VIEW



VISTA A
A-VIEW

ITEM	QTY	DESCRIPTION	UNIT	REVISION
1	1	BOILER	UNIT	1
2	1	SMOKE OUTLET FLANGE	UNIT	1
3	1	MANIFOLD	UNIT	1
4	1	MANIFOLD	UNIT	1
5	1	MANIFOLD	UNIT	1
6	1	MANIFOLD	UNIT	1
7	1	MANIFOLD	UNIT	1
8	1	MANIFOLD	UNIT	1
9	1	MANIFOLD	UNIT	1
10	1	MANIFOLD	UNIT	1
11	1	MANIFOLD	UNIT	1
12	1	MANIFOLD	UNIT	1
13	1	MANIFOLD	UNIT	1
14	1	MANIFOLD	UNIT	1
15	1	MANIFOLD	UNIT	1
16	1	MANIFOLD	UNIT	1
17	1	MANIFOLD	UNIT	1
18	1	MANIFOLD	UNIT	1
19	1	MANIFOLD	UNIT	1
20	1	MANIFOLD	UNIT	1
21	1	MANIFOLD	UNIT	1
22	1	MANIFOLD	UNIT	1
23	1	MANIFOLD	UNIT	1
24	1	MANIFOLD	UNIT	1
25	1	MANIFOLD	UNIT	1
26	1	MANIFOLD	UNIT	1
27	1	MANIFOLD	UNIT	1
28	1	MANIFOLD	UNIT	1
29	1	MANIFOLD	UNIT	1
30	1	MANIFOLD	UNIT	1
31	1	MANIFOLD	UNIT	1
32	1	MANIFOLD	UNIT	1
33	1	MANIFOLD	UNIT	1
34	1	MANIFOLD	UNIT	1
35	1	MANIFOLD	UNIT	1
36	1	MANIFOLD	UNIT	1
37	1	MANIFOLD	UNIT	1
38	1	MANIFOLD	UNIT	1
39	1	MANIFOLD	UNIT	1
40	1	MANIFOLD	UNIT	1
41	1	MANIFOLD	UNIT	1
42	1	MANIFOLD	UNIT	1
43	1	MANIFOLD	UNIT	1
44	1	MANIFOLD	UNIT	1
45	1	MANIFOLD	UNIT	1
46	1	MANIFOLD	UNIT	1
47	1	MANIFOLD	UNIT	1
48	1	MANIFOLD	UNIT	1
49	1	MANIFOLD	UNIT	1
50	1	MANIFOLD	UNIT	1
51	1	MANIFOLD	UNIT	1
52	1	MANIFOLD	UNIT	1
53	1	MANIFOLD	UNIT	1
54	1	MANIFOLD	UNIT	1
55	1	MANIFOLD	UNIT	1
56	1	MANIFOLD	UNIT	1
57	1	MANIFOLD	UNIT	1
58	1	MANIFOLD	UNIT	1
59	1	MANIFOLD	UNIT	1
60	1	MANIFOLD	UNIT	1
61	1	MANIFOLD	UNIT	1
62	1	MANIFOLD	UNIT	1
63	1	MANIFOLD	UNIT	1
64	1	MANIFOLD	UNIT	1
65	1	MANIFOLD	UNIT	1
66	1	MANIFOLD	UNIT	1
67	1	MANIFOLD	UNIT	1
68	1	MANIFOLD	UNIT	1
69	1	MANIFOLD	UNIT	1
70	1	MANIFOLD	UNIT	1
71	1	MANIFOLD	UNIT	1
72	1	MANIFOLD	UNIT	1
73	1	MANIFOLD	UNIT	1
74	1	MANIFOLD	UNIT	1
75	1	MANIFOLD	UNIT	1
76	1	MANIFOLD	UNIT	1
77	1	MANIFOLD	UNIT	1
78	1	MANIFOLD	UNIT	1
79	1	MANIFOLD	UNIT	1
80	1	MANIFOLD	UNIT	1
81	1	MANIFOLD	UNIT	1
82	1	MANIFOLD	UNIT	1
83	1	MANIFOLD	UNIT	1
84	1	MANIFOLD	UNIT	1
85	1	MANIFOLD	UNIT	1
86	1	MANIFOLD	UNIT	1
87	1	MANIFOLD	UNIT	1
88	1	MANIFOLD	UNIT	1
89	1	MANIFOLD	UNIT	1
90	1	MANIFOLD	UNIT	1
91	1	MANIFOLD	UNIT	1
92	1	MANIFOLD	UNIT	1
93	1	MANIFOLD	UNIT	1
94	1	MANIFOLD	UNIT	1
95	1	MANIFOLD	UNIT	1
96	1	MANIFOLD	UNIT	1
97	1	MANIFOLD	UNIT	1
98	1	MANIFOLD	UNIT	1
99	1	MANIFOLD	UNIT	1
100	1	MANIFOLD	UNIT	1



GARIONI NAVAL

NG-C 300
DIMENSIONI DI INGOMBRO STANDARD
STANDARD OVERALL DIMENSIONS

Viale dei Caduti 3
25030 CASTELMELLA (BS)
Tel. (030) 281541 P.A.
Fax (030) 2880910

COMMESSA: PROIEZIONE 1

ESISTENTE IL: SOSTITUITO DAL:
09-0221 Rev.2

DISSEGNO N. NG 1131

DATA: 28/02/10

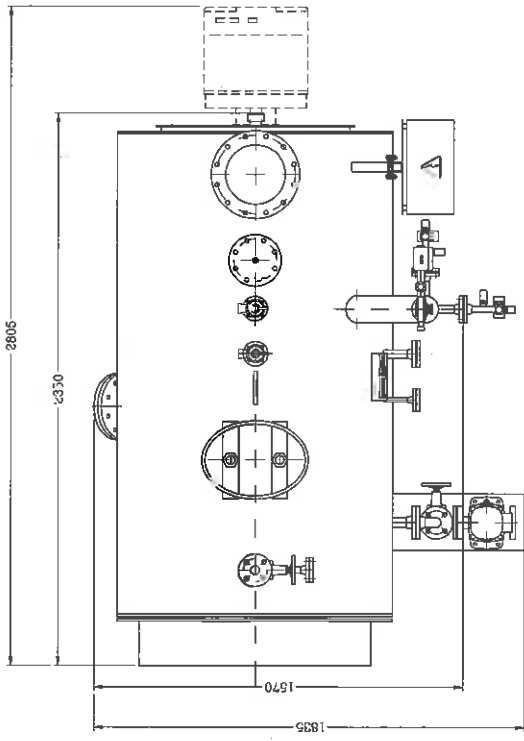
SCALA: 1:15

APPROVATO: PA

VERIFICATO: FS

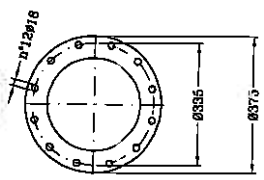
DISCREZIONATA: FS

QUESTO DISEGNO È DI PROPRIETÀ GARIONI NAVAL E VIETATA LA SUA RIPRODUZIONE O UTILIZZO SENZA IL CONSENSO SCRITTO DI GARIONI NAVAL

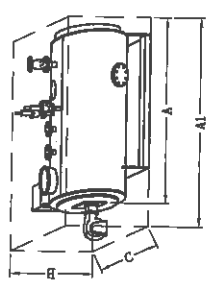


STEAM PRODUCTION	300 kg/h - 12 bar
CAPACITY	208 kW - 180.000 kcal/h
WATER CONTENT	LEVEL 686 liters - TOTAL 803 liters
HEATING SURFACE	81 square meters
TRANSPORT DIMENSIONS	A=2.500 / B=3.000 / C=2.000 mm

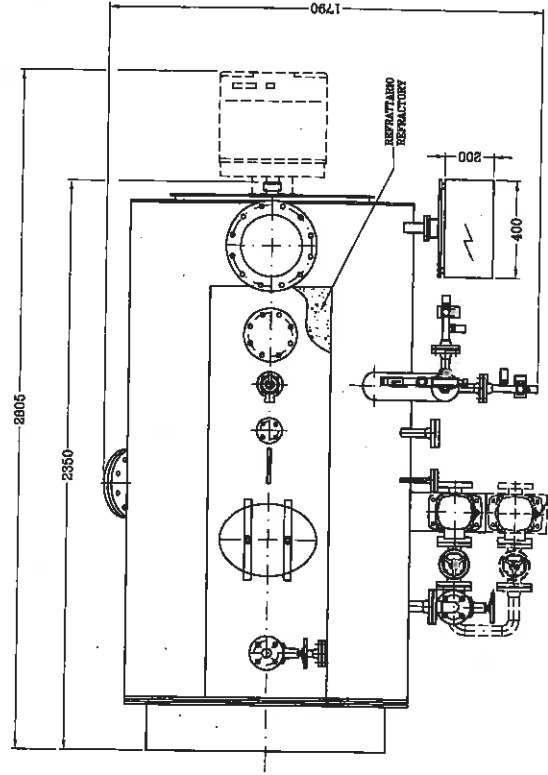
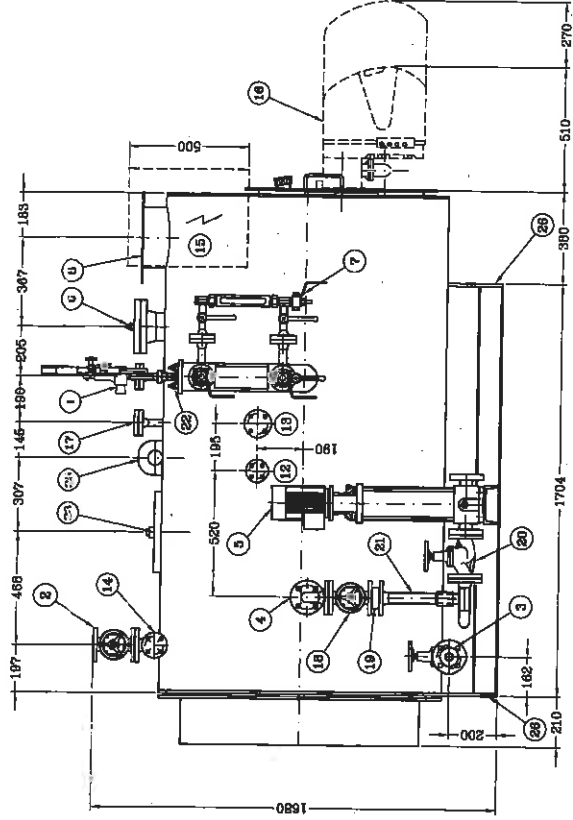
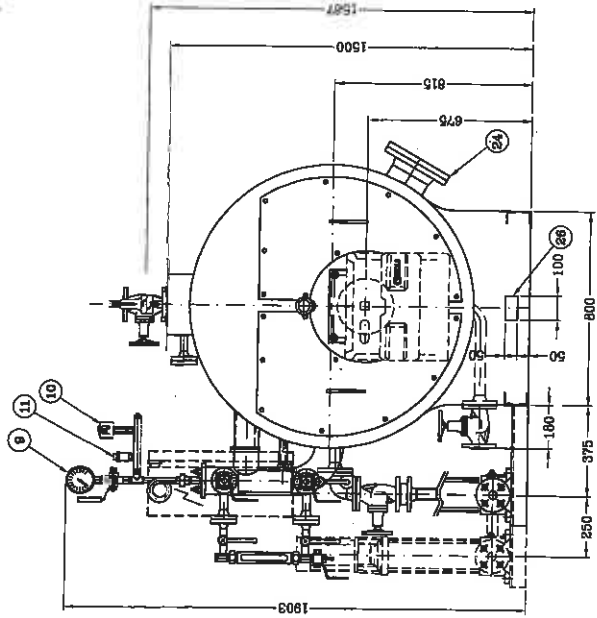
SHIMMER OUTLET PLANKET
PART. FRANGIA USCIATA VUOTO
(PCE-B)



DIMENSIONI INGIOMBERO TRASPORTO
TRANSPORT EXTERNAL DIMENSIONS



A	2500 mm
Al	2850 mm
B	2000 mm
C	2000 mm
PESO A VUOTO EMPTY WEIGHT	1800 Kg



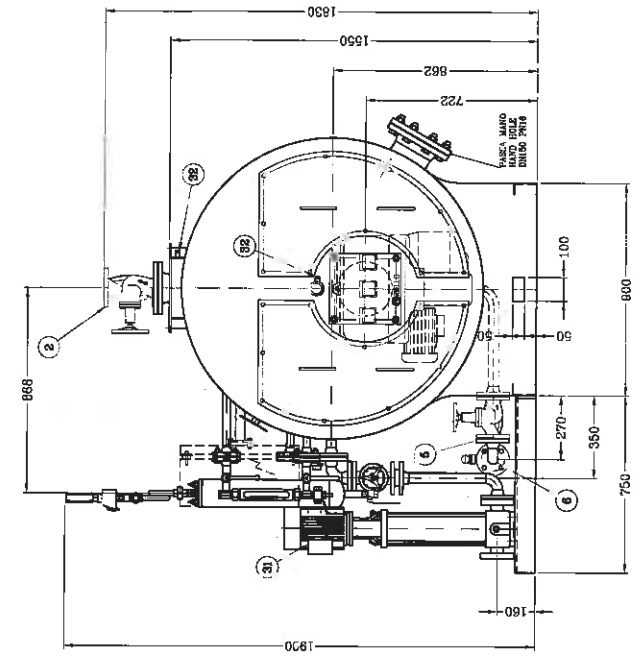
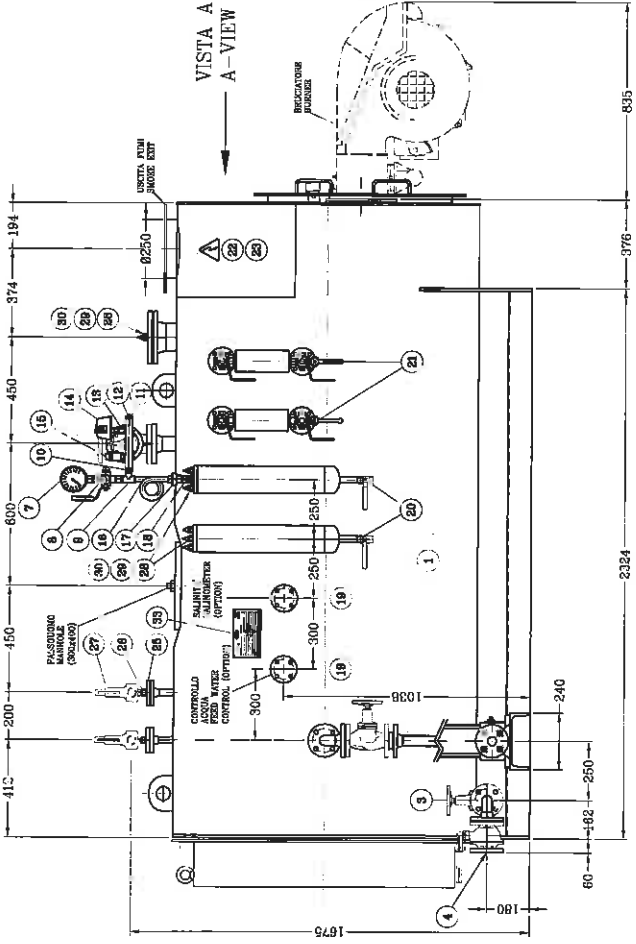
POS.	NR.	DESCRIZIONE	DESCRIPTION	NOTE
28	2	ASCIA SOLLEVAMENTO MARTINETTO	LIFTING POINT FOR HYDRAULIC JACK	
25	1	CANCO DI SOLLEVAMENTO	HAND HOLES	
24	1	PASSA MANO	MAN HOLE	
23	1	PASSA UOMO	LEVEL PROGES AND GROUND	
22	4	SONDE LIVELLO E MASSA	PUMP PIPE	61 1/2 ASTM A105 Gr-B
21	1	TUBO COLLEGAMENTO POMPA	CHECK VALVE	DN82 PN16
20	1	VALVOLA POMPA	FED WATER GLOBE VALVE	DN82 PN16
19	1	VALVOLA DI RITORNO	AUXILIARY CONNECTION	DN82 PN16
18	1	VALVOLA ALIMENTAZIONE	BURNER	OPTIONAL
17	1	ATTACCO AUSILIARIO	CONTROL PANEL	
16	1	BRUCIATORE	AUXILIARY CONNECTION	
15	1	QUADRO ELETTRICO	SALINOMETER CONNECTION	DN20 PN16
14	1	ATTACCO AUSILIARIO	FED WATER CONTROL CONNECTION	DN25 PN16
13	1	ATTACCO SONDIA SALINITA'	PRESSURE TRANSDUCER	DN15 PN16
12	1	ATTACCO CONTROLLO ACQUA	SAFETY PRESSURE SWITCH	
11	1	TRASDUTTORE DI PRESSIONE	CHIMNEY FLANGE	DN250 (DN60044)
10	1	PRESTATATO DI SICUREZZA	LEVEL INDICATOR	
9	1	MANOMETRO	MINIMUM LEVEL PROBE	
8	1	FRANGIA CAMINO	FEEDING PUMP	OPTIONAL
7	2	INDICATORE DI LIVELLO	WATER INLET CONNECTION	DN82 PN16
6	1	SONDA MINIMO LIVELLO	BLOW DOWN GLOBE VALVE	DN82 PN16
5A	1	POMPA ALIMENTO ACQUA	STREAM OUTLET GLOBE VALVE	DN82 PN16
5	1	POMPA ALIMENTO ACQUA	SAFETY VALVE	61 1/2
4	1	ATTACCO INGRESSO ACQUA		
3	1	VALVOLA DI SCARICO		
2	1	VALVOLA PRESA VAPORE		
1	1	VALVOLA DI SICUREZZA		

MODELLO	NG-C	500
TIP	kg/h	500
PRODUZIONE VAPORE	kg/h	500
STEAM PRODUCTION	kg/h	500
POTENZIALITA'	kcal/h	50000
CAPACITY	kwh	950
PRESSIONE	bar	12
PESO A VUOTO/EMPTY WEIGHT	kg	1800
CONTENUTO ACQUA/CAPACITY	lit	500

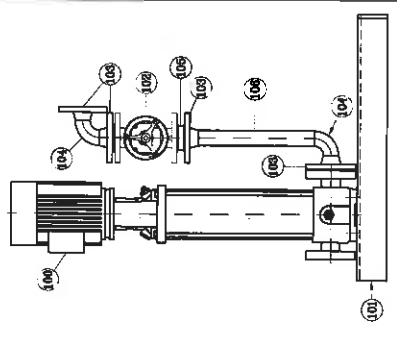
APPARECCHIO	VERIFICATO	PA	1:15	28/08/10
DISSEGNO	NG 1112			

GARIONI NAVAL
 NG-C 500
 DIMENSIONI DI INGOMBERO STANDARD
 STANDARD EXTERNAL DIMENSIONS

Viale dei Caduti, 3
 26030 CASTELMELLA (BS)
 Tel. (030) 2881541 r.a
 Fax (030) 2880910
 DIMENSIONI DI INGOMBERO STANDARD
 STANDARD EXTERNAL DIMENSIONS
 DISSEGNO N.
 NG 1112



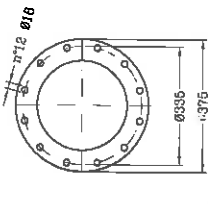
COD. ART.: NGC07SP12UOTTONNOI/STRAI. (P. 10-31)



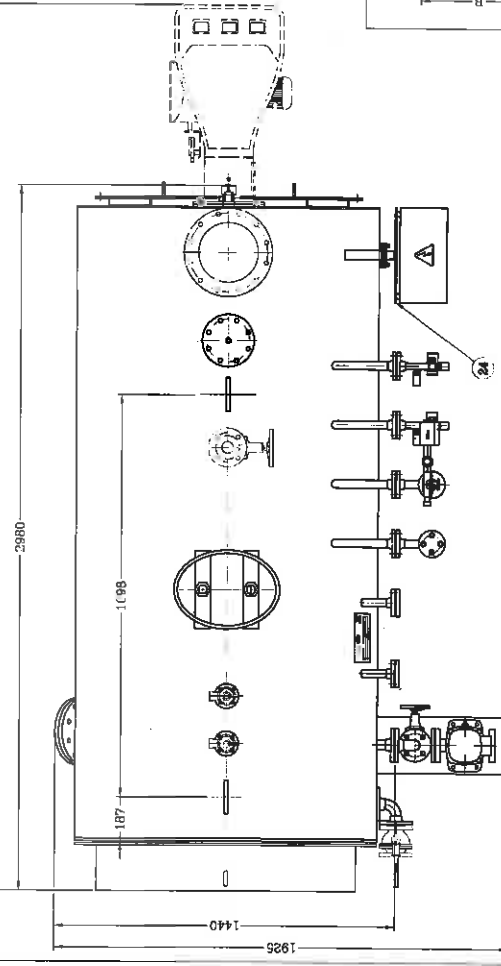
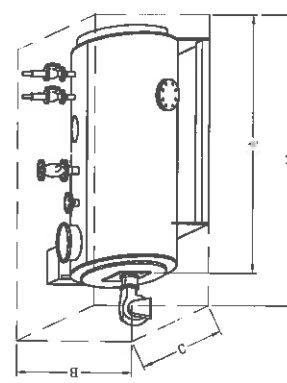
VISTA A
A-VIEW

DESCRIZIONE	REVISIONI	REVISIONI
BOILER	1	BOILER
1.0	1	BOILER
1.1	1	BOILER
1.2	1	BOILER
1.3	1	BOILER
1.4	1	BOILER
1.5	1	BOILER
1.6	1	BOILER
1.7	1	BOILER
1.8	1	BOILER
1.9	1	BOILER
1.10	1	BOILER
1.11	1	BOILER
1.12	1	BOILER
1.13	1	BOILER
1.14	1	BOILER
1.15	1	BOILER
1.16	1	BOILER
1.17	1	BOILER
1.18	1	BOILER
1.19	1	BOILER
1.20	1	BOILER
1.21	1	BOILER
1.22	1	BOILER
1.23	1	BOILER
1.24	1	BOILER
1.25	1	BOILER
1.26	1	BOILER
1.27	1	BOILER
1.28	1	BOILER
1.29	1	BOILER
1.30	1	BOILER

SMOKE OUTLET BLANGE
PART. FLANGIA USCITA FUMI
(DINISO DIN86/44)



DIMENSIONI INGOMBRO TRASPORTO
TRANSPORT EXTERNAL DIMENSIONS



STEAM PRODUCTION 750 kg/h - 12 bar
 CAPACITY 523 kW - 450,000 kcal/h
 WATER CONTENT LEVEL 1069 liters - TOTAL 1418 liters
 HEATING SURFACE 14.5 square meters
 TRANSPORT DIMENSIONS A=5,000 / Al=4,000 / B=2,000 / C=2,000 mm

GARIONI NAVAL

Viale dei Caduti 3
25030 CASTELMELLA (IS)
Tel. (030) 2881541 r.a
Fax. (030) 2880910

COMMESSA: _____ REVISIONE: 1

PROGETTISTA: _____ IL 29/07/10 DIM.:

DISSEGNO N. NG 1142

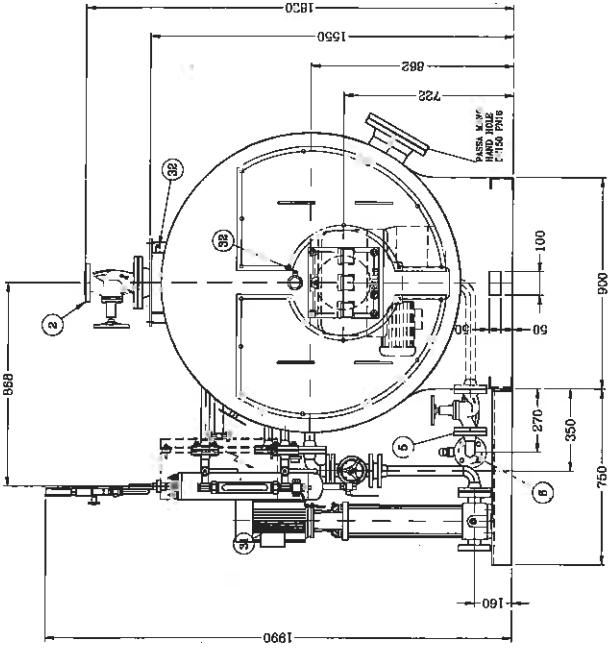
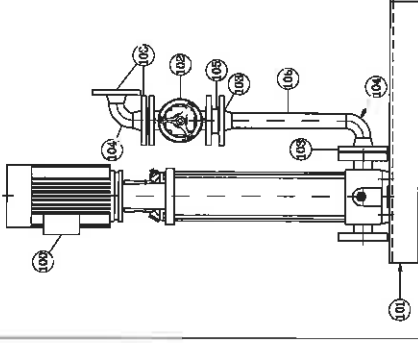
DIMENSIONI DI INGOMBRO STANDARD
STANDARD OVERALL DIMENSIONS

DISGNAIO VERIFICATO APPROVATO DATA

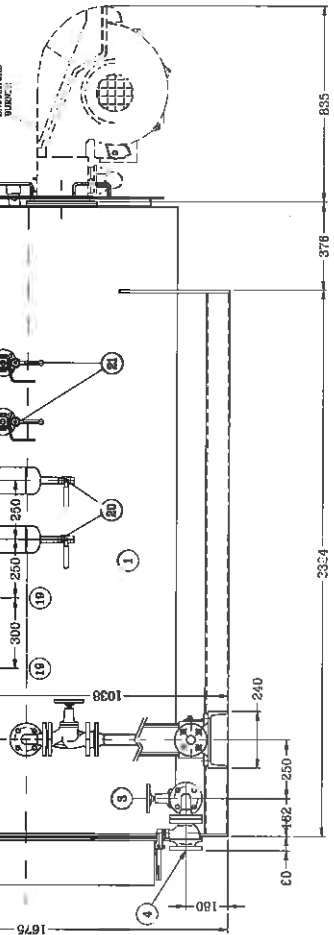
FS - PA 1:15 29/07/10

QUESTO BOILER È IN DOTAZIONE PER L'ARMA NAUTICA E VEICOLI A LANCIO IN SEA. SE RICHIEDI UNO SOSTITUITO DA UNO A TERZO, VERIFICARE IL SEGNALIBRO E IL MARCHIO DI SOSTITUZIONE A TUTTI GLI EFFETTI LEGALI. A TUTTI GLI EFFETTI LEGALI. A TUTTI GLI EFFETTI LEGALI. A TUTTI GLI EFFETTI LEGALI. A TUTTI GLI EFFETTI LEGALI.

COD. ART.: NGC0100P1200T00001 / GRAL. (P.09.31)

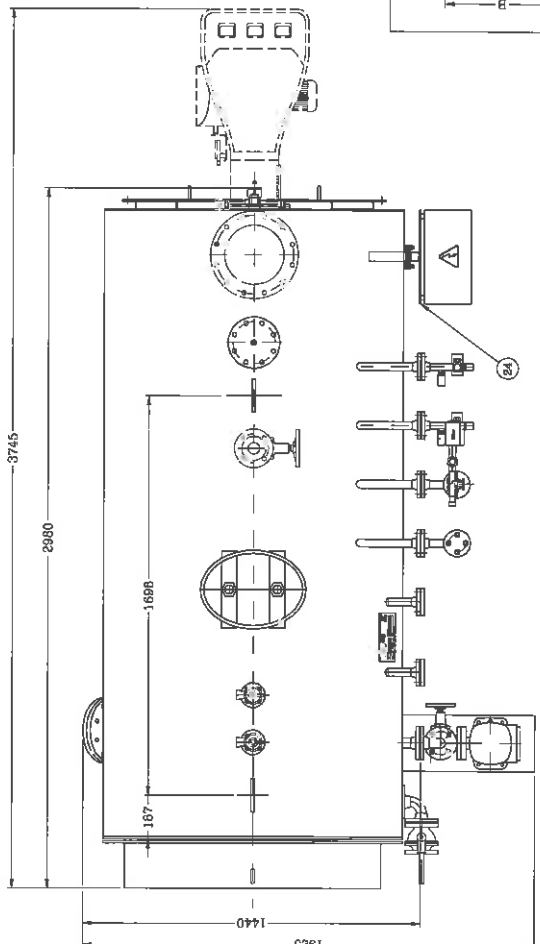
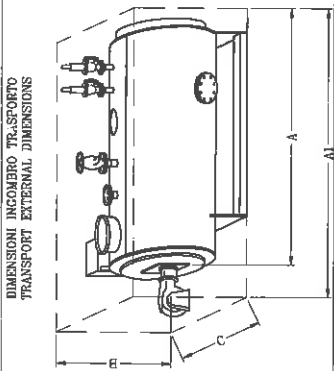
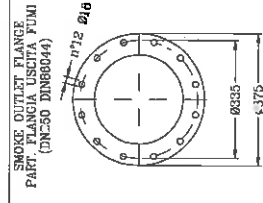


VISTA A
A-VIEW



VISTA A
A-VIEW

NO.	DESCRIZIONE	QUANTITA'	UNITA'	REVISIONE	DATA	PRODOTTORE	APPROVATO	VERIFICATO	APPROVATO	SCALA	DATA
1	ASSEMBLAGGIO	1		1	09/08/10					1:15	09/08/10
2
3
4
5
6
7
8
9
10
11
12
13
14
15
16
17
18
19
20
21
22
23
24
25
26
27
28
29
30
31
32
33
34
35
36
37
38
39
40
41
42
43
44
45
46
47
48
49
50



STEAM PRODUCTION	1000 kg/h - 12 bar
CAPACITY	698 kW - 30.000 kcal/h
WATER CONTENT	LEVEL 1089 liters - TOTAL 1416 liters
HEATING SURFACE	14,5 square meters
TRANSPORT DIMENSIONS	A=5.000 / A1=4.000 / B=2.000 / C=2.000 mm

GARIONI NAVAL

NG-C 1000
DIMENSIONI DI INGOMBRO STANDARD
STANDARD OVERALL DIMENSIONS

DISIGNO N.
NG 1149

Viale dei Caduti 3
25030 CASTRALELLA (BS)
Tel. (030) 2881541 r.a.
Fax (030) 2880810

COMMESSA
REVISIONE 1

SOTTILIZIATO IL
SOSTITUITO DAL

248 NG P.09

APPROVATO PA
VERIFICATO

DISIGNATO PS
VERIFICATO

NG-C 1000
DIMENSIONI DI INGOMBRO STANDARD
STANDARD OVERALL DIMENSIONS

DISIGNO N.
NG 1149

Viale dei Caduti 3
25030 CASTRALELLA (BS)
Tel. (030) 2881541 r.a.
Fax (030) 2880810

COMMESSA
REVISIONE 1

SOTTILIZIATO IL
SOSTITUITO DAL

248 NG P.09

APPROVATO PA
VERIFICATO

DISIGNATO PS
VERIFICATO

NG-C 1000
DIMENSIONI DI INGOMBRO STANDARD
STANDARD OVERALL DIMENSIONS

DISIGNO N.
NG 1149

Viale dei Caduti 3
25030 CASTRALELLA (BS)
Tel. (030) 2881541 r.a.
Fax (030) 2880810

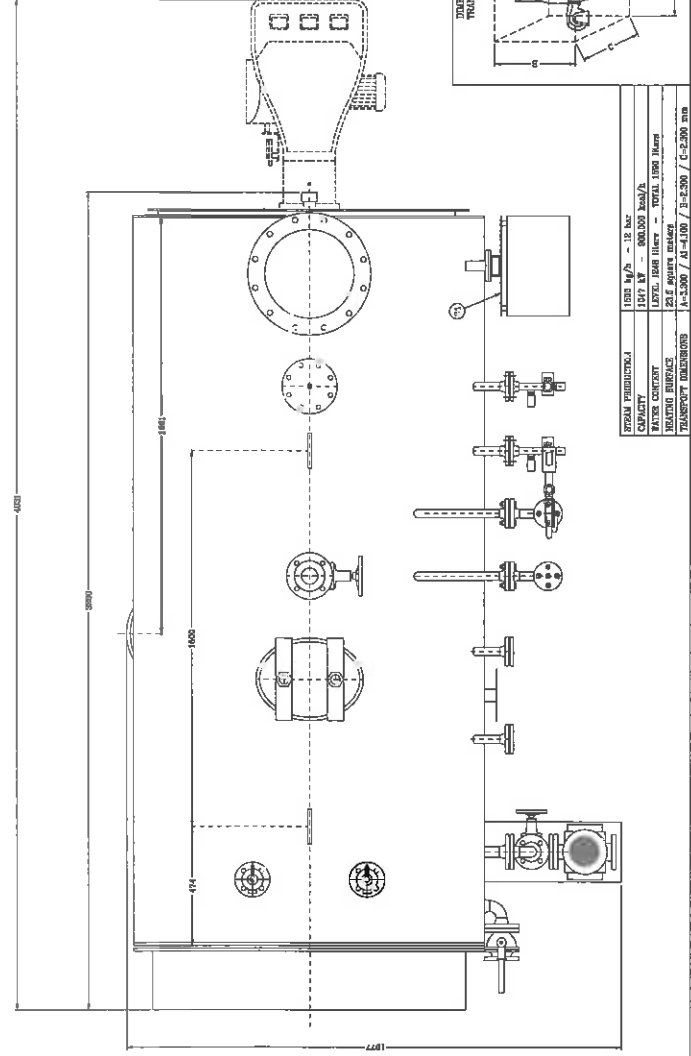
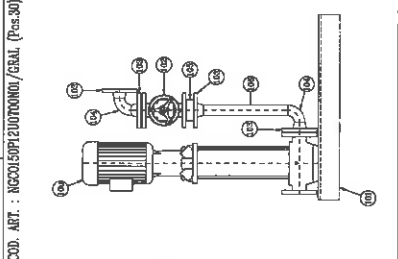
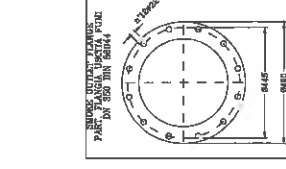
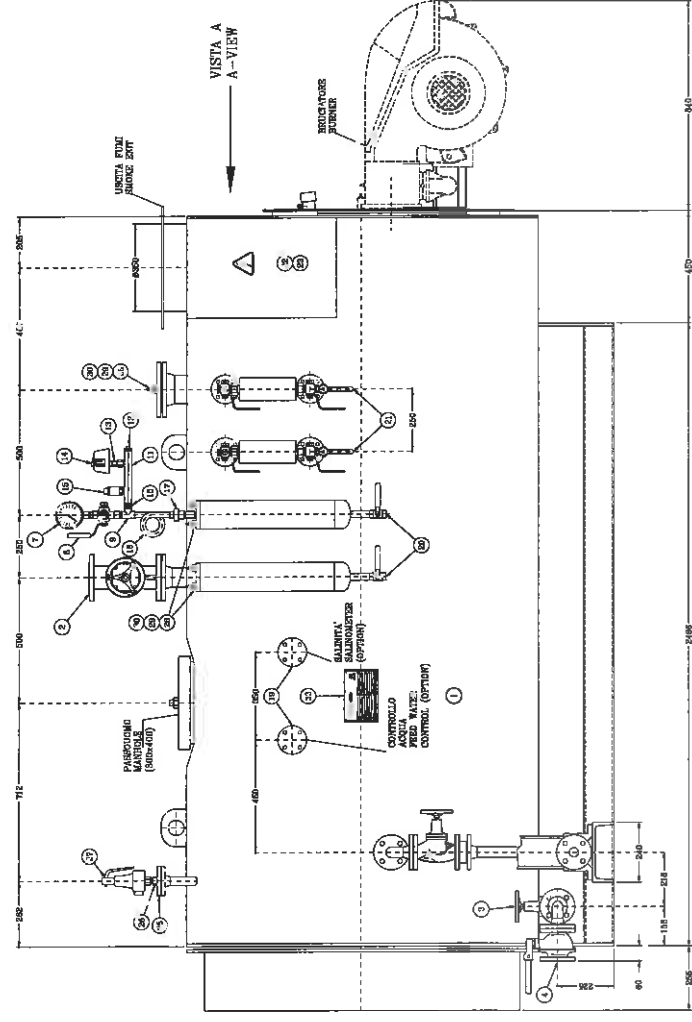
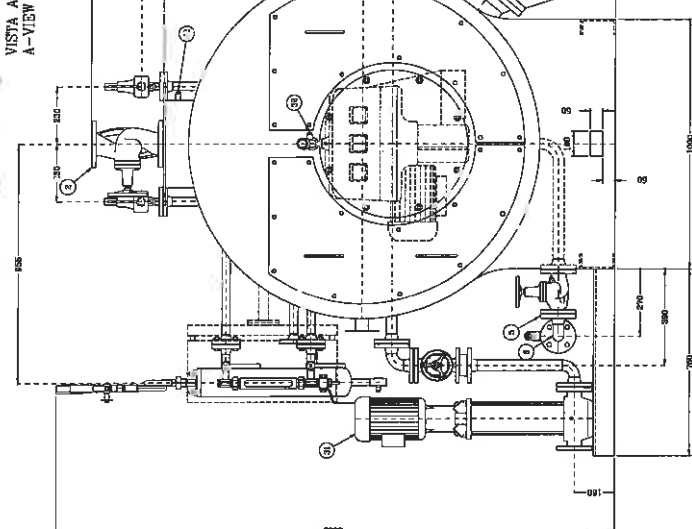
COMMESSA
REVISIONE 1

SOTTILIZIATO IL
SOSTITUITO DAL

248 NG P.09

APPROVATO PA
VERIFICATO

DISIGNATO PS
VERIFICATO



VELOCITA'	1000 m/h - 10 hpc
CAPACITA'	1517 lit - 600,000 gal/h
WATER CAPACITY	1517,000 liter - TOTAL 1500 liter
WATER SURFACE	250 square meter
TRANSPORT DIMENSIONS	P-2300 / M-1300 / B-2300 / C-2300 mm

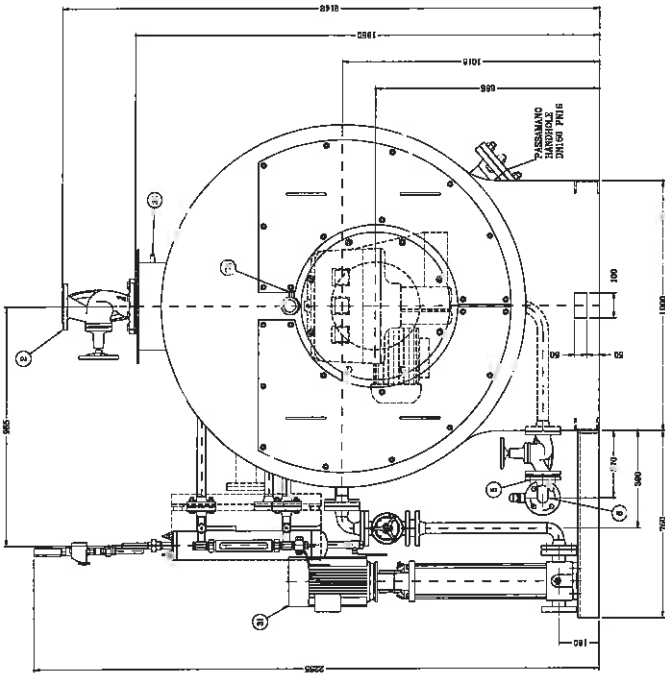
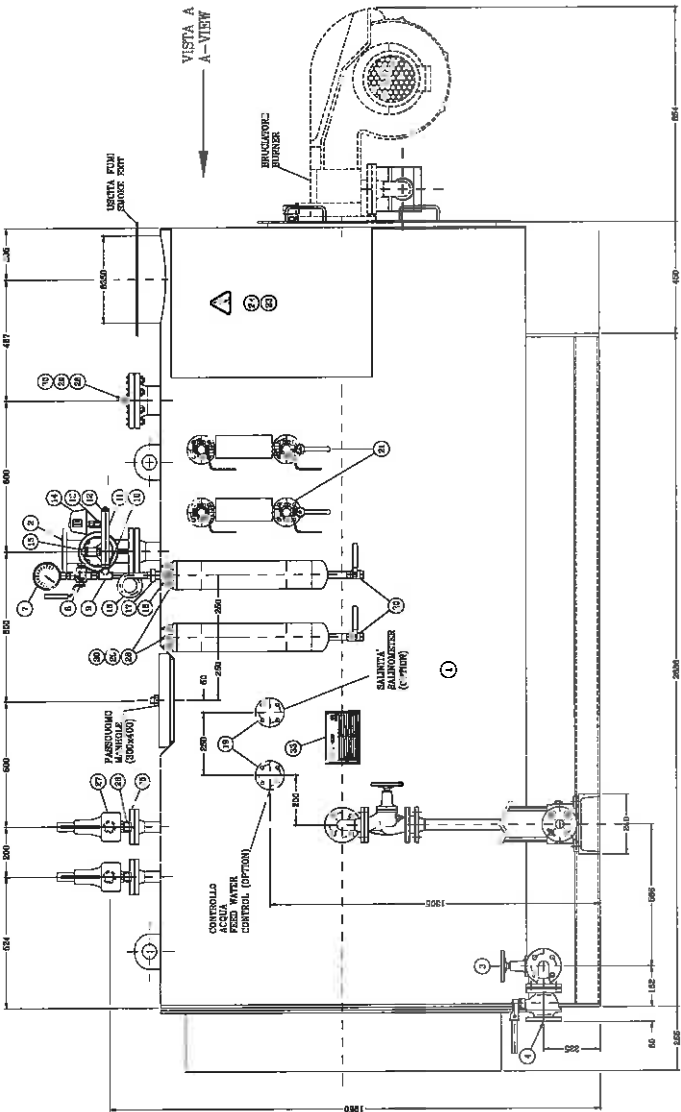
PRODOTTORE	DESCRIZIONE	NOTE	COME INDICATO IN PRODOTTORE
01	BOILER	BOILER	
02	POMPA	PUMP	
03	POMPA	PUMP	
04	POMPA	PUMP	
05	POMPA	PUMP	
06	POMPA	PUMP	
07	POMPA	PUMP	
08	POMPA	PUMP	
09	POMPA	PUMP	
10	POMPA	PUMP	
11	POMPA	PUMP	
12	POMPA	PUMP	
13	POMPA	PUMP	
14	POMPA	PUMP	
15	POMPA	PUMP	
16	POMPA	PUMP	
17	POMPA	PUMP	
18	POMPA	PUMP	
19	POMPA	PUMP	
20	POMPA	PUMP	
21	POMPA	PUMP	
22	POMPA	PUMP	
23	POMPA	PUMP	
24	POMPA	PUMP	
25	POMPA	PUMP	
26	POMPA	PUMP	
27	POMPA	PUMP	
28	POMPA	PUMP	
29	POMPA	PUMP	
30	POMPA	PUMP	

GARONI NAVAL

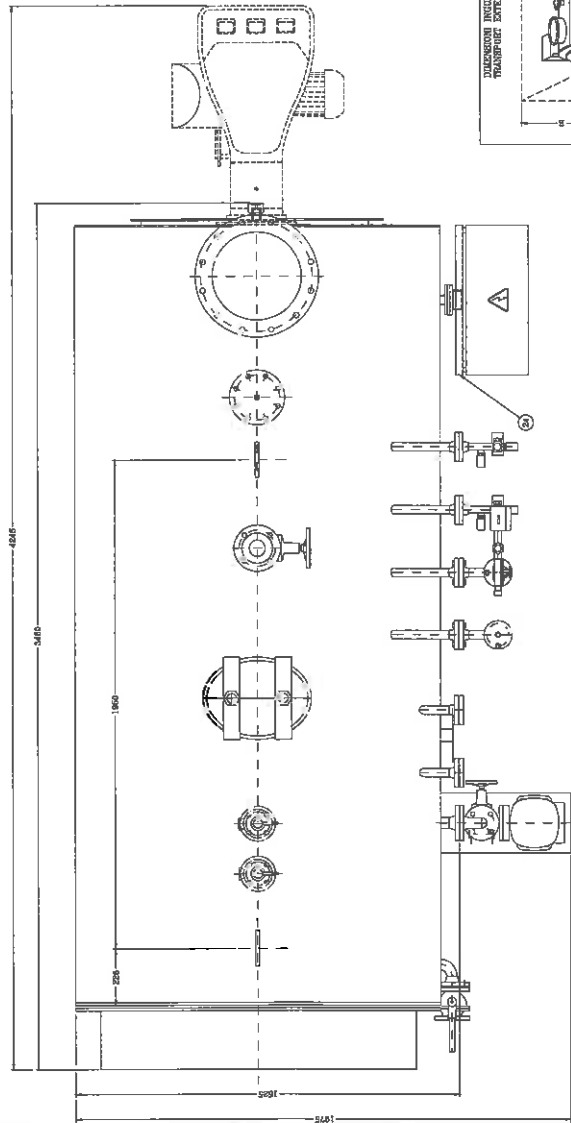
NG-C 1500
DIMENSIONI DI INGOMBRO STANDARD
STANDARD OVERALL DIMENSIONS

Disegno N. NG 1166

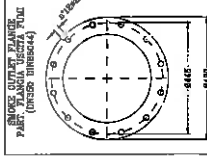
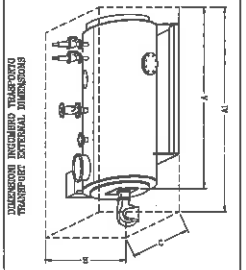
Scale: 1:10, 1:31, 1:62, 1:125, 1:250, 1:500, 1:1000



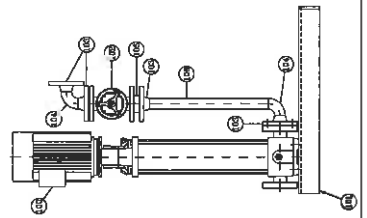
VISTA A
A-VIEW



STEFAN PRODUCTION	2000 kg/h - 12 bar
CAPACITY	1588 kW - 150000 kcal/h
WATER CONTENT	14760 l - 3970 gal
HEATING SURFACE	29 m² - 313 sq ft
TRANSPORT DIMENSIONS	1800x1800 / 1800x1800 / 1800x1800 mm



COD. ART. : NG2000P (2000GNG) / GRAL (Pos.31)

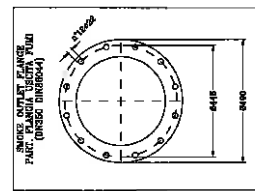
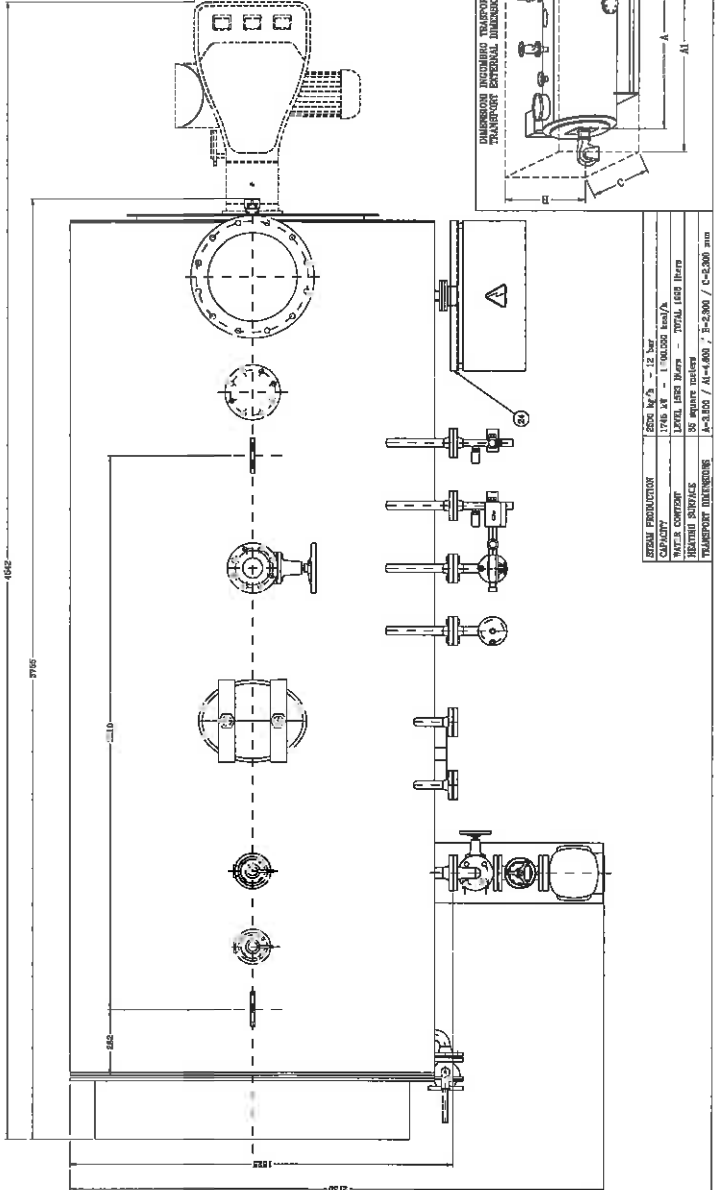
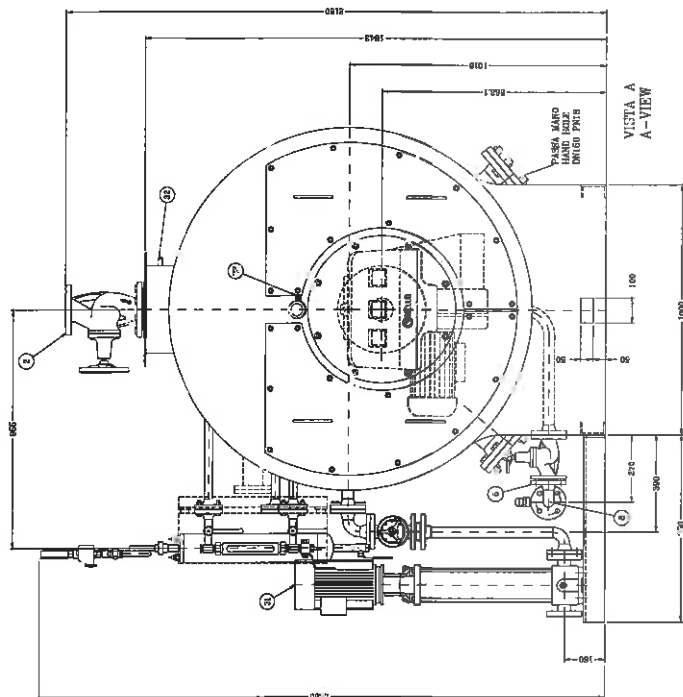
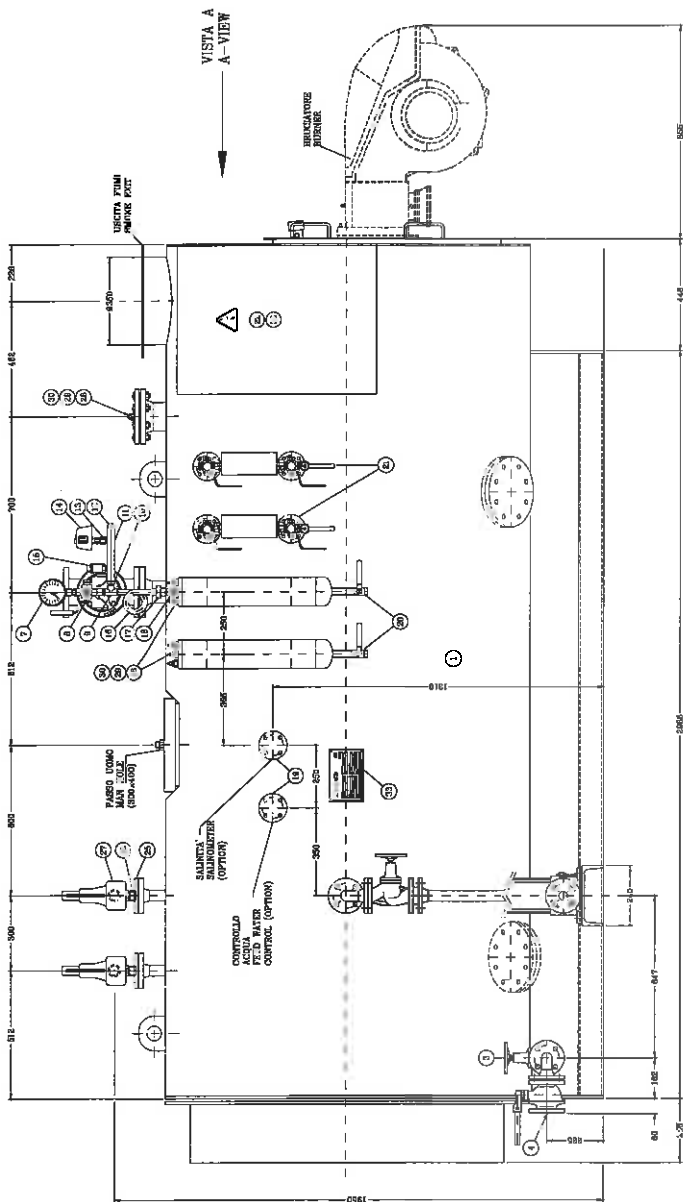


DESCRIZIONE		QUANTITÀ	UNITÀ DI MISURA
1	BOILER	1	UNITÀ
2	BRUCIATORE	1	UNITÀ
3	VALVOLA DI SICUREZZA	1	UNITÀ
4	VALVOLA DI RILASCIO	1	UNITÀ
5	VALVOLA DI RILASCIO	1	UNITÀ
6	VALVOLA DI RILASCIO	1	UNITÀ
7	VALVOLA DI RILASCIO	1	UNITÀ
8	VALVOLA DI RILASCIO	1	UNITÀ
9	VALVOLA DI RILASCIO	1	UNITÀ
10	VALVOLA DI RILASCIO	1	UNITÀ
11	VALVOLA DI RILASCIO	1	UNITÀ
12	VALVOLA DI RILASCIO	1	UNITÀ
13	VALVOLA DI RILASCIO	1	UNITÀ
14	VALVOLA DI RILASCIO	1	UNITÀ
15	VALVOLA DI RILASCIO	1	UNITÀ
16	VALVOLA DI RILASCIO	1	UNITÀ
17	VALVOLA DI RILASCIO	1	UNITÀ
18	VALVOLA DI RILASCIO	1	UNITÀ
19	VALVOLA DI RILASCIO	1	UNITÀ
20	VALVOLA DI RILASCIO	1	UNITÀ
21	VALVOLA DI RILASCIO	1	UNITÀ
22	VALVOLA DI RILASCIO	1	UNITÀ
23	VALVOLA DI RILASCIO	1	UNITÀ
24	VALVOLA DI RILASCIO	1	UNITÀ
25	VALVOLA DI RILASCIO	1	UNITÀ
26	VALVOLA DI RILASCIO	1	UNITÀ
27	VALVOLA DI RILASCIO	1	UNITÀ
28	VALVOLA DI RILASCIO	1	UNITÀ
29	VALVOLA DI RILASCIO	1	UNITÀ
30	VALVOLA DI RILASCIO	1	UNITÀ
31	VALVOLA DI RILASCIO	1	UNITÀ
32	VALVOLA DI RILASCIO	1	UNITÀ
33	VALVOLA DI RILASCIO	1	UNITÀ
34	VALVOLA DI RILASCIO	1	UNITÀ
35	VALVOLA DI RILASCIO	1	UNITÀ
36	VALVOLA DI RILASCIO	1	UNITÀ
37	VALVOLA DI RILASCIO	1	UNITÀ
38	VALVOLA DI RILASCIO	1	UNITÀ
39	VALVOLA DI RILASCIO	1	UNITÀ
40	VALVOLA DI RILASCIO	1	UNITÀ
41	VALVOLA DI RILASCIO	1	UNITÀ
42	VALVOLA DI RILASCIO	1	UNITÀ
43	VALVOLA DI RILASCIO	1	UNITÀ
44	VALVOLA DI RILASCIO	1	UNITÀ
45	VALVOLA DI RILASCIO	1	UNITÀ
46	VALVOLA DI RILASCIO	1	UNITÀ
47	VALVOLA DI RILASCIO	1	UNITÀ
48	VALVOLA DI RILASCIO	1	UNITÀ
49	VALVOLA DI RILASCIO	1	UNITÀ
50	VALVOLA DI RILASCIO	1	UNITÀ
51	VALVOLA DI RILASCIO	1	UNITÀ
52	VALVOLA DI RILASCIO	1	UNITÀ
53	VALVOLA DI RILASCIO	1	UNITÀ
54	VALVOLA DI RILASCIO	1	UNITÀ
55	VALVOLA DI RILASCIO	1	UNITÀ
56	VALVOLA DI RILASCIO	1	UNITÀ
57	VALVOLA DI RILASCIO	1	UNITÀ
58	VALVOLA DI RILASCIO	1	UNITÀ
59	VALVOLA DI RILASCIO	1	UNITÀ
60	VALVOLA DI RILASCIO	1	UNITÀ
61	VALVOLA DI RILASCIO	1	UNITÀ
62	VALVOLA DI RILASCIO	1	UNITÀ
63	VALVOLA DI RILASCIO	1	UNITÀ
64	VALVOLA DI RILASCIO	1	UNITÀ
65	VALVOLA DI RILASCIO	1	UNITÀ
66	VALVOLA DI RILASCIO	1	UNITÀ
67	VALVOLA DI RILASCIO	1	UNITÀ
68	VALVOLA DI RILASCIO	1	UNITÀ
69	VALVOLA DI RILASCIO	1	UNITÀ
70	VALVOLA DI RILASCIO	1	UNITÀ
71	VALVOLA DI RILASCIO	1	UNITÀ
72	VALVOLA DI RILASCIO	1	UNITÀ
73	VALVOLA DI RILASCIO	1	UNITÀ
74	VALVOLA DI RILASCIO	1	UNITÀ
75	VALVOLA DI RILASCIO	1	UNITÀ
76	VALVOLA DI RILASCIO	1	UNITÀ
77	VALVOLA DI RILASCIO	1	UNITÀ
78	VALVOLA DI RILASCIO	1	UNITÀ
79	VALVOLA DI RILASCIO	1	UNITÀ
80	VALVOLA DI RILASCIO	1	UNITÀ
81	VALVOLA DI RILASCIO	1	UNITÀ
82	VALVOLA DI RILASCIO	1	UNITÀ
83	VALVOLA DI RILASCIO	1	UNITÀ
84	VALVOLA DI RILASCIO	1	UNITÀ
85	VALVOLA DI RILASCIO	1	UNITÀ
86	VALVOLA DI RILASCIO	1	UNITÀ
87	VALVOLA DI RILASCIO	1	UNITÀ
88	VALVOLA DI RILASCIO	1	UNITÀ
89	VALVOLA DI RILASCIO	1	UNITÀ
90	VALVOLA DI RILASCIO	1	UNITÀ
91	VALVOLA DI RILASCIO	1	UNITÀ
92	VALVOLA DI RILASCIO	1	UNITÀ
93	VALVOLA DI RILASCIO	1	UNITÀ
94	VALVOLA DI RILASCIO	1	UNITÀ
95	VALVOLA DI RILASCIO	1	UNITÀ
96	VALVOLA DI RILASCIO	1	UNITÀ
97	VALVOLA DI RILASCIO	1	UNITÀ
98	VALVOLA DI RILASCIO	1	UNITÀ
99	VALVOLA DI RILASCIO	1	UNITÀ
100	VALVOLA DI RILASCIO	1	UNITÀ

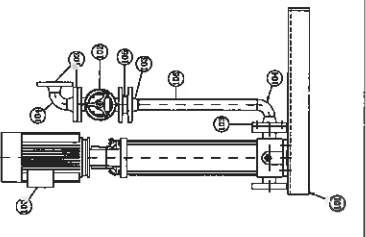
GARIONI NAVAL
 NG-C 2000
 DIMENSIONI DI INGOMBRO STANDARD
 STANDARD OVERALL DIMENSIONS

Modello: NG 1172
 Disegno N. NG 1172

Garioni Naval S.p.A. - Via Salaria, 1000 - 00198 Roma (RM) - Tel. 06/49991111 - Fax 06/49991112



COD. ART. : MCGC0001000001/0001 (Pag.31)



NUMERO	DESCRIZIONE	UNITA'	QUANTITA'	NOTE
1
2
3
4
5
6
7
8
9
10
11
12
13
14
15
16
17
18
19
20
21
22
23
24
25
26
27
28
29
30
31
32
33
34
35
36
37
38
39
40
41
42
43
44
45
46
47
48
49
50
51
52
53
54
55
56
57
58
59
60
61
62
63
64
65
66
67
68
69
70
71
72
73
74
75
76
77
78
79
80
81
82
83
84
85
86
87
88
89
90
91
92
93
94
95
96
97
98
99
100

GARIONI
 NG-C 2500
 DIMENSIONI DI INGOMBRO STANDARD
 STANDARD OVERALL DIMENSIONS

Tabella del Coefficiente di Resistenza all'Avanzamento (C_r)
 secondo la Tabella 1 del Regolamento di Progetto e di Costruzione di Venti, con la Classe di Resistenza
 (C_r = 1,0)

CONSUMO
 1000 W

PRODOTTORE
 GARIONI S.p.A.

MODELLO
 NG 1102

SCALA
 1:10 (05/06/10)

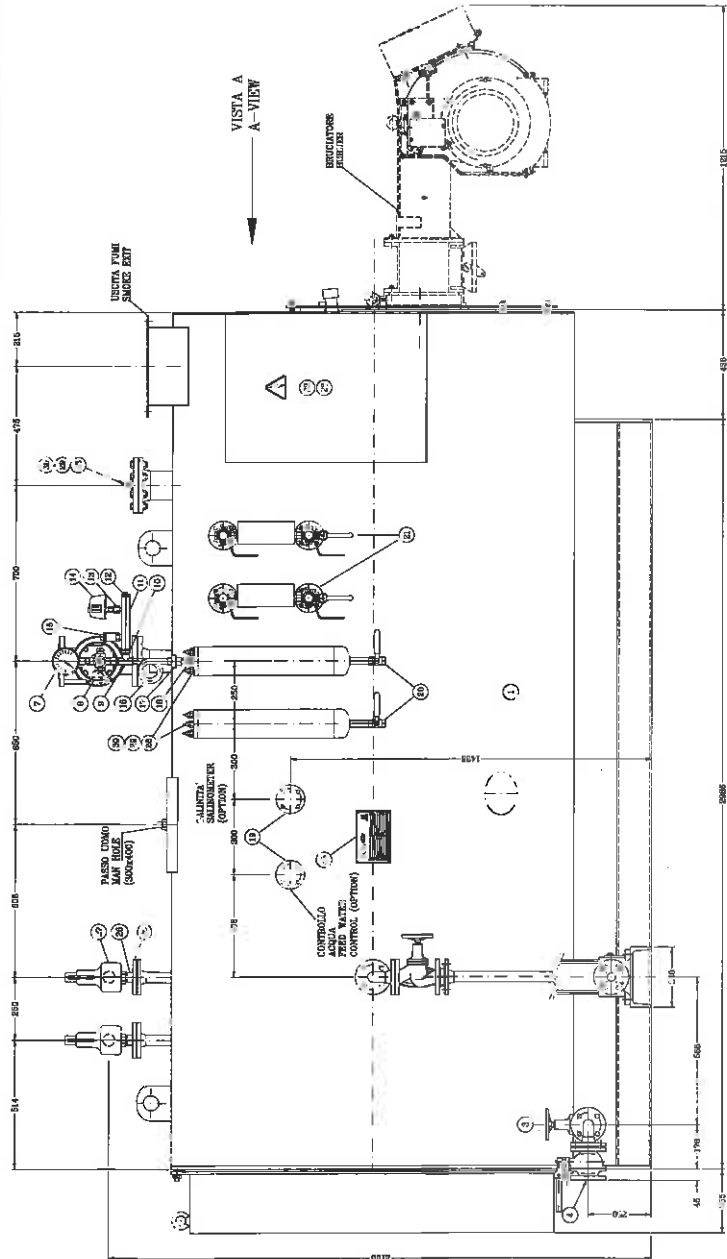
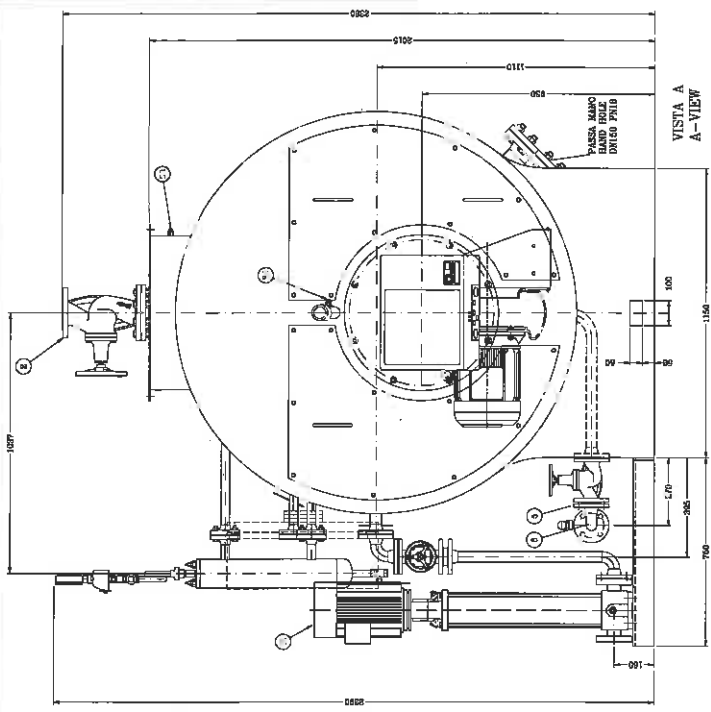
DATA
 05/06/10

PROGETTO
 P.A.

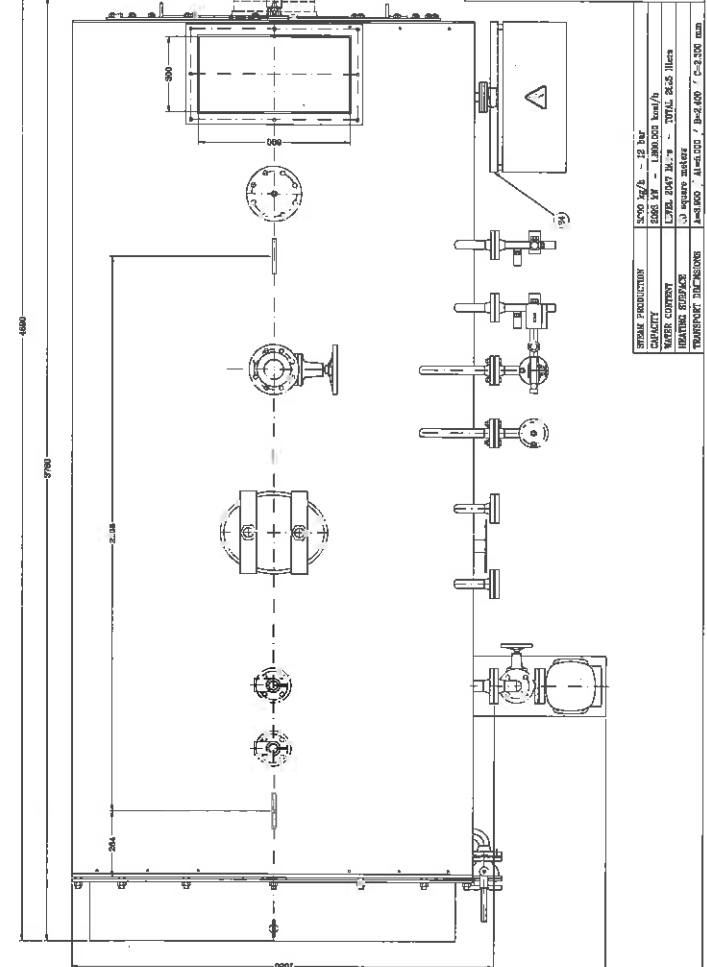
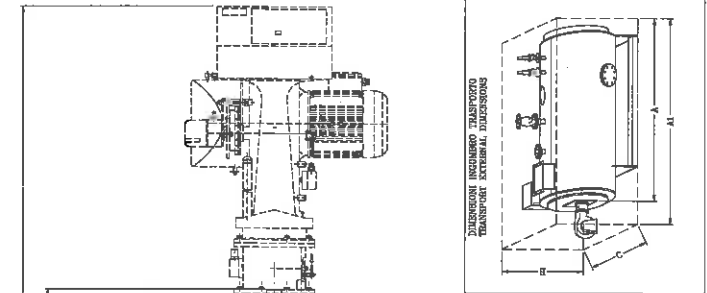
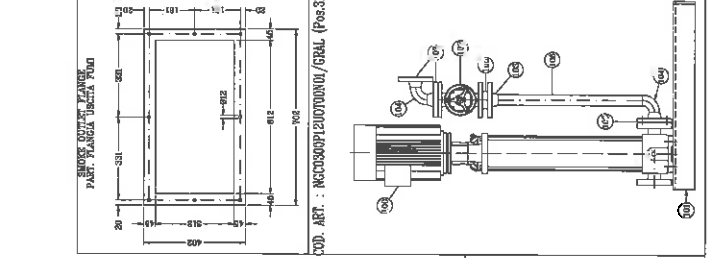
VERIFICATO
 P.A.

REVISIONI
 1

DESCRIZIONE
 NG 1102

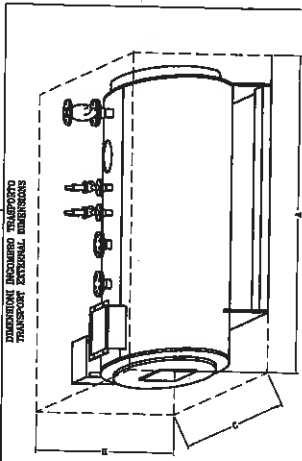
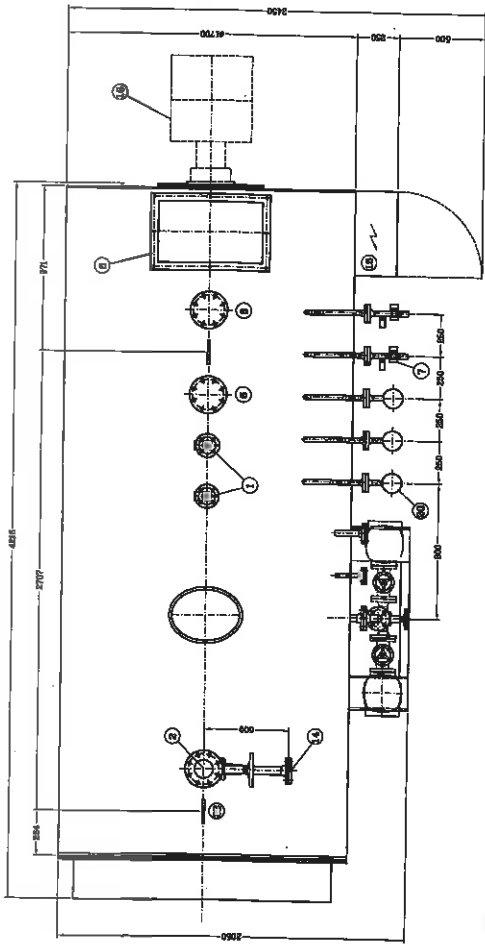
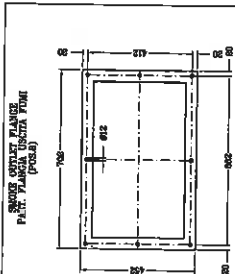
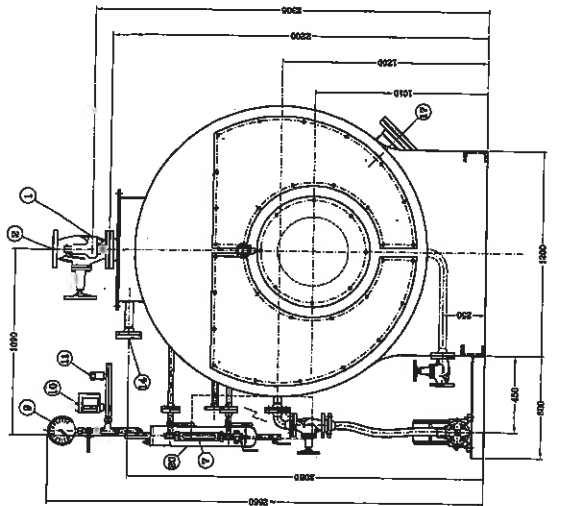
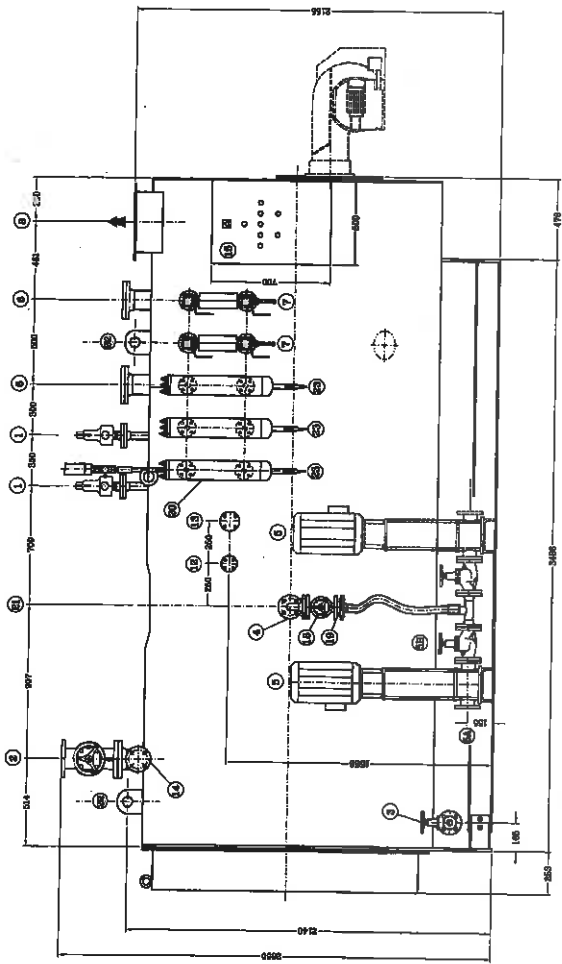


NO. REV.	DESCRIZIONE	DATA	OPERAZIONE
01	PROGETTO	15/01/88	PROGETTO
02	MODIFICHE	15/01/88	MODIFICHE
03	PROVA	15/01/88	PROVA
04	PROVA	15/01/88	PROVA
05	PROVA	15/01/88	PROVA
06	PROVA	15/01/88	PROVA
07	PROVA	15/01/88	PROVA
08	PROVA	15/01/88	PROVA
09	PROVA	15/01/88	PROVA
10	PROVA	15/01/88	PROVA
11	PROVA	15/01/88	PROVA
12	PROVA	15/01/88	PROVA
13	PROVA	15/01/88	PROVA
14	PROVA	15/01/88	PROVA
15	PROVA	15/01/88	PROVA
16	PROVA	15/01/88	PROVA
17	PROVA	15/01/88	PROVA
18	PROVA	15/01/88	PROVA
19	PROVA	15/01/88	PROVA
20	PROVA	15/01/88	PROVA
21	PROVA	15/01/88	PROVA
22	PROVA	15/01/88	PROVA
23	PROVA	15/01/88	PROVA
24	PROVA	15/01/88	PROVA
25	PROVA	15/01/88	PROVA
26	PROVA	15/01/88	PROVA
27	PROVA	15/01/88	PROVA
28	PROVA	15/01/88	PROVA
29	PROVA	15/01/88	PROVA
30	PROVA	15/01/88	PROVA



GARIONI
 DIMENSIONI DI INGOMBRO STANDARD
 STANDARD EXTERNAL DIMENSIONS
 DISEGNO N. NG 1168
 PA. 110 85/08/0

ITEM	DESCRIPTION	UNIT	VALUE
1	PRODUCTION	kg/h	12
2	CAPACITY	kg/h	12
3	CONSUMPTION	kg/h	12
4	TEMPERATURE	°C	12
5	TRANSPORT DIMENSIONS	mm	12



A	4300 mm
B	2800 mm
C	2400 mm
PRESO A VUOTO	6000 Kg
EMPTY WEIGHT	

MODELLO	NC-C	3500
NUMERO DI SOTTILIMBAMENTO	1	2000
NUMERO DI SOTTILIMBAMENTO	1	2000
NUMERO DI SOTTILIMBAMENTO	1	2000
NUMERO DI SOTTILIMBAMENTO	1	2000
NUMERO DI SOTTILIMBAMENTO	1	2000

12	8	REINVENTO RICAMBIO BULLONETTO	MANIFOLD DISCHARGING COCK
13	8	RICAMBIO DI BULLONAMENTO	UPPER LENS
14	8	RICAMBIO DI BULLONAMENTO	MANIFOLD
15	8	RICAMBIO DI BULLONAMENTO	FRONTE MANIFOLD
16	8	RICAMBIO DI BULLONAMENTO	FRONTE MANIFOLD
17	8	RICAMBIO DI BULLONAMENTO	FRONTE MANIFOLD
18	8	RICAMBIO DI BULLONAMENTO	FRONTE MANIFOLD
19	1	VALVOLA DI RILASCIO	FRONTE MANIFOLD
20	1	VALVOLA ALIMENTAZIONE	FRONTE MANIFOLD
21	1	FRANZIAMENTO	FRONTE MANIFOLD
22	1	FRANZIAMENTO	FRONTE MANIFOLD
23	1	FRANZIAMENTO	FRONTE MANIFOLD
24	1	FRANZIAMENTO	FRONTE MANIFOLD
25	1	FRANZIAMENTO	FRONTE MANIFOLD
26	1	FRANZIAMENTO	FRONTE MANIFOLD
27	1	FRANZIAMENTO	FRONTE MANIFOLD
28	1	FRANZIAMENTO	FRONTE MANIFOLD
29	1	FRANZIAMENTO	FRONTE MANIFOLD
30	1	FRANZIAMENTO	FRONTE MANIFOLD
31	1	FRANZIAMENTO	FRONTE MANIFOLD
32	1	FRANZIAMENTO	FRONTE MANIFOLD
33	1	FRANZIAMENTO	FRONTE MANIFOLD
34	1	FRANZIAMENTO	FRONTE MANIFOLD
35	1	FRANZIAMENTO	FRONTE MANIFOLD
36	1	FRANZIAMENTO	FRONTE MANIFOLD
37	1	FRANZIAMENTO	FRONTE MANIFOLD
38	1	FRANZIAMENTO	FRONTE MANIFOLD
39	1	FRANZIAMENTO	FRONTE MANIFOLD
40	1	FRANZIAMENTO	FRONTE MANIFOLD
41	1	FRANZIAMENTO	FRONTE MANIFOLD
42	1	FRANZIAMENTO	FRONTE MANIFOLD
43	1	FRANZIAMENTO	FRONTE MANIFOLD
44	1	FRANZIAMENTO	FRONTE MANIFOLD
45	1	FRANZIAMENTO	FRONTE MANIFOLD
46	1	FRANZIAMENTO	FRONTE MANIFOLD
47	1	FRANZIAMENTO	FRONTE MANIFOLD
48	1	FRANZIAMENTO	FRONTE MANIFOLD
49	1	FRANZIAMENTO	FRONTE MANIFOLD
50	1	FRANZIAMENTO	FRONTE MANIFOLD
51	1	FRANZIAMENTO	FRONTE MANIFOLD
52	1	FRANZIAMENTO	FRONTE MANIFOLD
53	1	FRANZIAMENTO	FRONTE MANIFOLD
54	1	FRANZIAMENTO	FRONTE MANIFOLD
55	1	FRANZIAMENTO	FRONTE MANIFOLD
56	1	FRANZIAMENTO	FRONTE MANIFOLD
57	1	FRANZIAMENTO	FRONTE MANIFOLD
58	1	FRANZIAMENTO	FRONTE MANIFOLD
59	1	FRANZIAMENTO	FRONTE MANIFOLD
60	1	FRANZIAMENTO	FRONTE MANIFOLD
61	1	FRANZIAMENTO	FRONTE MANIFOLD
62	1	FRANZIAMENTO	FRONTE MANIFOLD
63	1	FRANZIAMENTO	FRONTE MANIFOLD
64	1	FRANZIAMENTO	FRONTE MANIFOLD
65	1	FRANZIAMENTO	FRONTE MANIFOLD
66	1	FRANZIAMENTO	FRONTE MANIFOLD
67	1	FRANZIAMENTO	FRONTE MANIFOLD
68	1	FRANZIAMENTO	FRONTE MANIFOLD
69	1	FRANZIAMENTO	FRONTE MANIFOLD
70	1	FRANZIAMENTO	FRONTE MANIFOLD
71	1	FRANZIAMENTO	FRONTE MANIFOLD
72	1	FRANZIAMENTO	FRONTE MANIFOLD
73	1	FRANZIAMENTO	FRONTE MANIFOLD
74	1	FRANZIAMENTO	FRONTE MANIFOLD
75	1	FRANZIAMENTO	FRONTE MANIFOLD
76	1	FRANZIAMENTO	FRONTE MANIFOLD
77	1	FRANZIAMENTO	FRONTE MANIFOLD
78	1	FRANZIAMENTO	FRONTE MANIFOLD
79	1	FRANZIAMENTO	FRONTE MANIFOLD
80	1	FRANZIAMENTO	FRONTE MANIFOLD
81	1	FRANZIAMENTO	FRONTE MANIFOLD
82	1	FRANZIAMENTO	FRONTE MANIFOLD
83	1	FRANZIAMENTO	FRONTE MANIFOLD
84	1	FRANZIAMENTO	FRONTE MANIFOLD
85	1	FRANZIAMENTO	FRONTE MANIFOLD
86	1	FRANZIAMENTO	FRONTE MANIFOLD
87	1	FRANZIAMENTO	FRONTE MANIFOLD
88	1	FRANZIAMENTO	FRONTE MANIFOLD
89	1	FRANZIAMENTO	FRONTE MANIFOLD
90	1	FRANZIAMENTO	FRONTE MANIFOLD
91	1	FRANZIAMENTO	FRONTE MANIFOLD
92	1	FRANZIAMENTO	FRONTE MANIFOLD
93	1	FRANZIAMENTO	FRONTE MANIFOLD
94	1	FRANZIAMENTO	FRONTE MANIFOLD
95	1	FRANZIAMENTO	FRONTE MANIFOLD
96	1	FRANZIAMENTO	FRONTE MANIFOLD
97	1	FRANZIAMENTO	FRONTE MANIFOLD
98	1	FRANZIAMENTO	FRONTE MANIFOLD
99	1	FRANZIAMENTO	FRONTE MANIFOLD
100	1	FRANZIAMENTO	FRONTE MANIFOLD

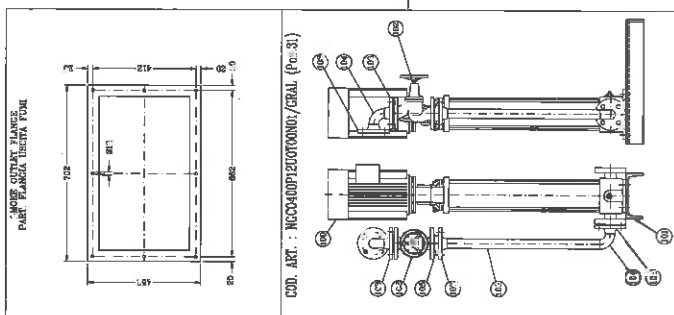
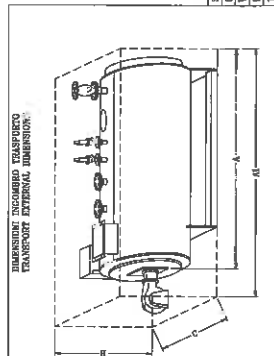
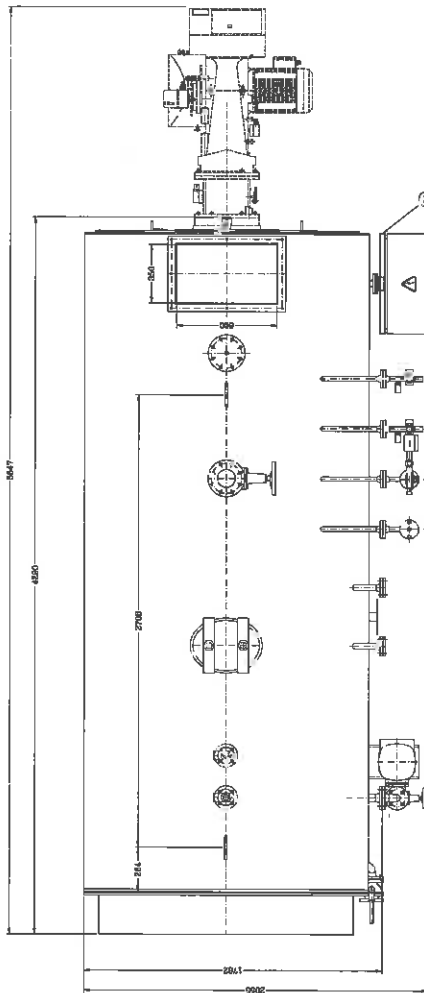
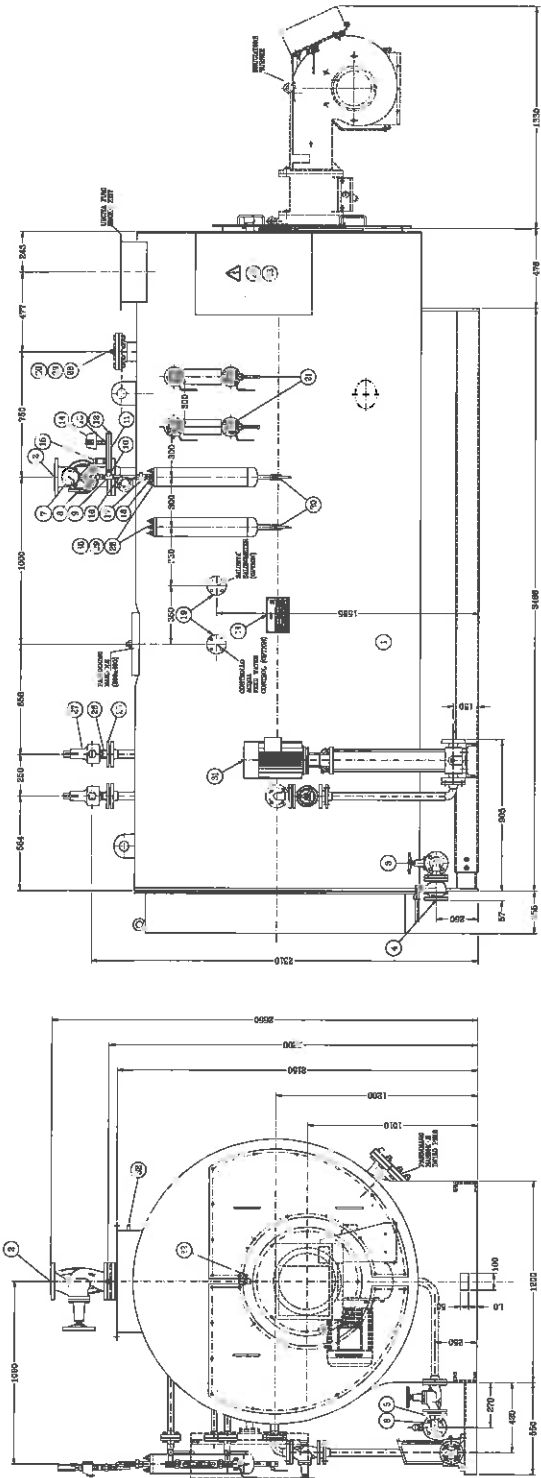
GARIONI
 DIMENSIONI DI INCOMBO STANDARD
 STANDARD EXTERNAL DIMENSIONS
 NC-C 3500

Modello NC-C 3500
 Anno di costruzione 2000
 Numero di sottolimbamento 1

Valori del Coefficiente di Sicurezza
 1.000 (1000) 10000 (10000) 100000 (100000)

Disegno N. NC 1065
 Data 01/04/2008
 Approverso PA
 Verificato FS

Garioni S.p.A. - Via S. Maria Maddalena, 1 - 00187 Roma - Tel. 06/4981111 - Fax 06/4981112

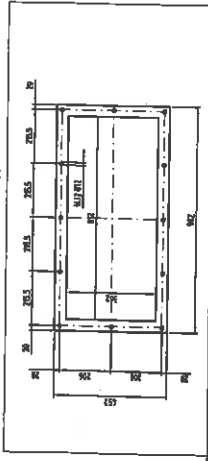
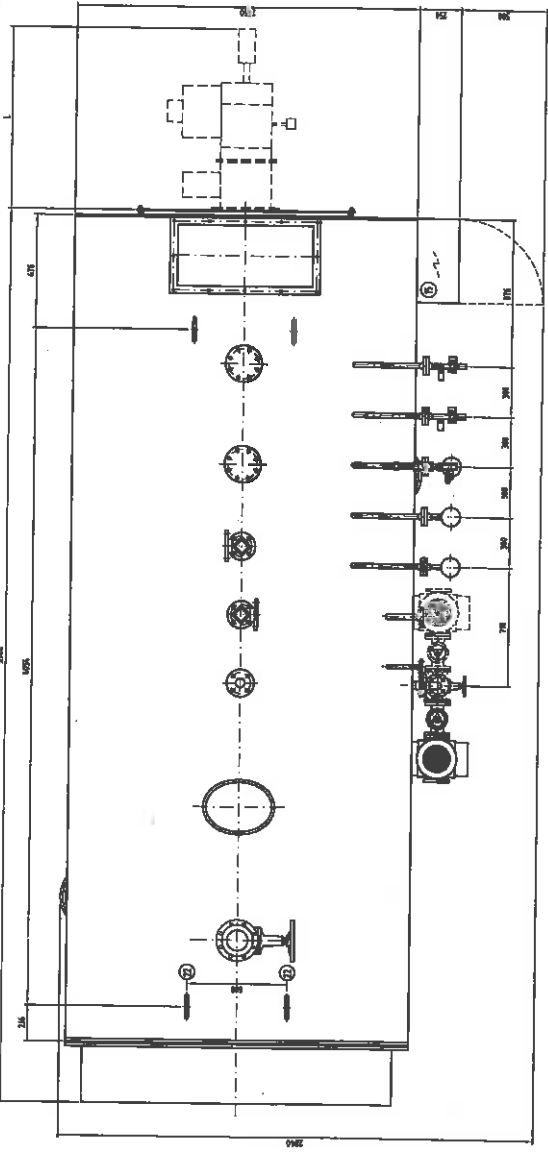
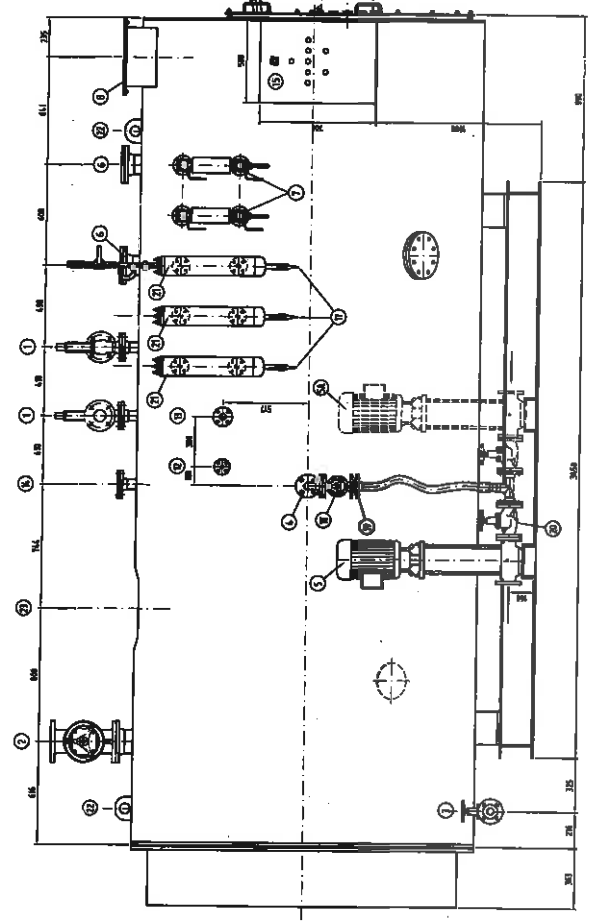
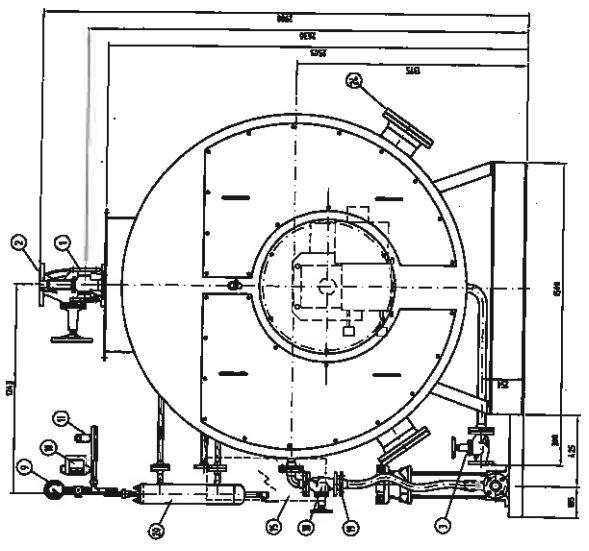


STEAM PRODUCTION	400 kg/h - 12 bar
CAPACITY	870 kg - 12 BAR/HR
WEIGHT	2700 kg
HEIGHT	4200 mm
TRANSPORT DIMENSIONS	1800/2700/1500 mm
HEIGHT SURFACE	1800/2700/1500 mm
TRANSPORT DIMENSIONS	1800/2700/1500 mm

INDICAZIONI PER IL CLIENTE		
1	Modello	4000
2	Indirizzo	
3	Nome	
4	Cognome	
5	Cap	
6	Città	
7	Prov.	
8	Telefono	
9	Altezza	
10	Capacità	
11	Peso	
12	Volume	
13	Superficie	
14	Materiali	
15	Colori	
16	Accessori	
17	Altri	
18	Altre	
19	Altre	
20	Altre	
21	Altre	
22	Altre	
23	Altre	
24	Altre	
25	Altre	
26	Altre	
27	Altre	
28	Altre	
29	Altre	
30	Altre	
31	Altre	
32	Altre	
33	Altre	
34	Altre	
35	Altre	
36	Altre	
37	Altre	
38	Altre	
39	Altre	
40	Altre	
41	Altre	
42	Altre	
43	Altre	
44	Altre	
45	Altre	
46	Altre	
47	Altre	
48	Altre	
49	Altre	
50	Altre	
51	Altre	
52	Altre	
53	Altre	
54	Altre	
55	Altre	
56	Altre	
57	Altre	
58	Altre	
59	Altre	
60	Altre	
61	Altre	
62	Altre	
63	Altre	
64	Altre	
65	Altre	
66	Altre	
67	Altre	
68	Altre	
69	Altre	
70	Altre	
71	Altre	
72	Altre	
73	Altre	
74	Altre	
75	Altre	
76	Altre	
77	Altre	
78	Altre	
79	Altre	
80	Altre	
81	Altre	
82	Altre	
83	Altre	
84	Altre	
85	Altre	
86	Altre	
87	Altre	
88	Altre	
89	Altre	
90	Altre	
91	Altre	
92	Altre	
93	Altre	
94	Altre	
95	Altre	
96	Altre	
97	Altre	
98	Altre	
99	Altre	
100	Altre	

GARIONI NAVAL
 DIMENSIONI DI INGOMBRO STANDARD
 STANDARD OVERALL DIMENSIONS
 NG-C 4000
 Viale dei Fratelli 22
 20030 BIGNATELLA (BS)
 Tel. (030) 950020
 Fax (030) 950030

COD. ART. : NCC040012/OT0000/GERAL (Pg. 31)
 N. 1005 - 1006 - 1007 - 1008 - 1009 - 1010 - 1011 - 1012 - 1013 - 1014 - 1015 - 1016 - 1017 - 1018 - 1019 - 1020 - 1021 - 1022 - 1023 - 1024 - 1025 - 1026 - 1027 - 1028 - 1029 - 1030 - 1031 - 1032 - 1033 - 1034 - 1035 - 1036 - 1037 - 1038 - 1039 - 1040 - 1041 - 1042 - 1043 - 1044 - 1045 - 1046 - 1047 - 1048 - 1049 - 1050 - 1051 - 1052 - 1053 - 1054 - 1055 - 1056 - 1057 - 1058 - 1059 - 1060 - 1061 - 1062 - 1063 - 1064 - 1065 - 1066 - 1067 - 1068 - 1069 - 1070 - 1071 - 1072 - 1073 - 1074 - 1075 - 1076 - 1077 - 1078 - 1079 - 1080 - 1081 - 1082 - 1083 - 1084 - 1085 - 1086 - 1087 - 1088 - 1089 - 1090 - 1091 - 1092 - 1093 - 1094 - 1095 - 1096 - 1097 - 1098 - 1099 - 1100 - 1101 - 1102 - 1103 - 1104 - 1105 - 1106 - 1107 - 1108 - 1109 - 1110 - 1111 - 1112 - 1113 - 1114 - 1115 - 1116 - 1117 - 1118 - 1119 - 1120 - 1121 - 1122 - 1123 - 1124 - 1125 - 1126 - 1127 - 1128 - 1129 - 1130 - 1131 - 1132 - 1133 - 1134 - 1135 - 1136 - 1137 - 1138 - 1139 - 1140 - 1141 - 1142 - 1143 - 1144 - 1145 - 1146 - 1147 - 1148 - 1149 - 1150 - 1151 - 1152 - 1153 - 1154 - 1155 - 1156 - 1157 - 1158 - 1159 - 1160 - 1161 - 1162 - 1163 - 1164 - 1165 - 1166 - 1167 - 1168 - 1169 - 1170 - 1171 - 1172 - 1173 - 1174 - 1175 - 1176 - 1177 - 1178 - 1179 - 1180 - 1181 - 1182 - 1183 - 1184 - 1185 - 1186 - 1187 - 1188 - 1189 - 1190 - 1191 - 1192 - 1193 - 1194 - 1195 - 1196 - 1197 - 1198 - 1199 - 1200



MODELLO	NC-C	6000
TITOLI	1	1
PRODOTTORE	1	1
PRODOTTORE	1	1
PRODOTTORE	1	1
PRODOTTORE	1	1
PRODOTTORE	1	1
PRODOTTORE	1	1
PRODOTTORE	1	1
PRODOTTORE	1	1
PRODOTTORE	1	1

POSTO NR.	DESCRIZIONE	DESCRIZIONE IN ITALIANO
24	2	PASSEPARTO
25	1	PASSADURO
26	1	DI SILEZAMENTO
27	1	DI SILEZAMENTO
28	1	DI SILEZAMENTO
29	1	DI SILEZAMENTO
30	1	DI SILEZAMENTO
31	1	DI SILEZAMENTO
32	1	DI SILEZAMENTO
33	1	DI SILEZAMENTO
34	1	DI SILEZAMENTO
35	1	DI SILEZAMENTO
36	1	DI SILEZAMENTO
37	1	DI SILEZAMENTO
38	1	DI SILEZAMENTO
39	1	DI SILEZAMENTO
40	1	DI SILEZAMENTO
41	1	DI SILEZAMENTO
42	1	DI SILEZAMENTO
43	1	DI SILEZAMENTO
44	1	DI SILEZAMENTO
45	1	DI SILEZAMENTO
46	1	DI SILEZAMENTO
47	1	DI SILEZAMENTO
48	1	DI SILEZAMENTO
49	1	DI SILEZAMENTO
50	1	DI SILEZAMENTO
51	1	DI SILEZAMENTO
52	1	DI SILEZAMENTO
53	1	DI SILEZAMENTO
54	1	DI SILEZAMENTO
55	1	DI SILEZAMENTO
56	1	DI SILEZAMENTO
57	1	DI SILEZAMENTO
58	1	DI SILEZAMENTO
59	1	DI SILEZAMENTO
60	1	DI SILEZAMENTO
61	1	DI SILEZAMENTO
62	1	DI SILEZAMENTO
63	1	DI SILEZAMENTO
64	1	DI SILEZAMENTO
65	1	DI SILEZAMENTO
66	1	DI SILEZAMENTO
67	1	DI SILEZAMENTO
68	1	DI SILEZAMENTO
69	1	DI SILEZAMENTO
70	1	DI SILEZAMENTO
71	1	DI SILEZAMENTO
72	1	DI SILEZAMENTO
73	1	DI SILEZAMENTO
74	1	DI SILEZAMENTO
75	1	DI SILEZAMENTO
76	1	DI SILEZAMENTO
77	1	DI SILEZAMENTO
78	1	DI SILEZAMENTO
79	1	DI SILEZAMENTO
80	1	DI SILEZAMENTO
81	1	DI SILEZAMENTO
82	1	DI SILEZAMENTO
83	1	DI SILEZAMENTO
84	1	DI SILEZAMENTO
85	1	DI SILEZAMENTO
86	1	DI SILEZAMENTO
87	1	DI SILEZAMENTO
88	1	DI SILEZAMENTO
89	1	DI SILEZAMENTO
90	1	DI SILEZAMENTO
91	1	DI SILEZAMENTO
92	1	DI SILEZAMENTO
93	1	DI SILEZAMENTO
94	1	DI SILEZAMENTO
95	1	DI SILEZAMENTO
96	1	DI SILEZAMENTO
97	1	DI SILEZAMENTO
98	1	DI SILEZAMENTO
99	1	DI SILEZAMENTO
100	1	DI SILEZAMENTO

GARIONI NAVAL
 DIMENSIONI DI INCOMBO STANDARD
 STANDARD EXTERNAL DIMENSIONS
 NC-C 6000/12

Via del Cavali, 3
 20138 COSENZA, Italia
 Tel. 0375/281111
 Fax 0375/281110

Disegnato da: **D.M.A.**
 Verificato da: **C.D.**
 Data: **31/05/2005**
 Disegno N.: **05-0232**

REVISIONI:

NO.	DESCRIZIONE	DATA
1
2
3
4
5
6
7
8
9
10